



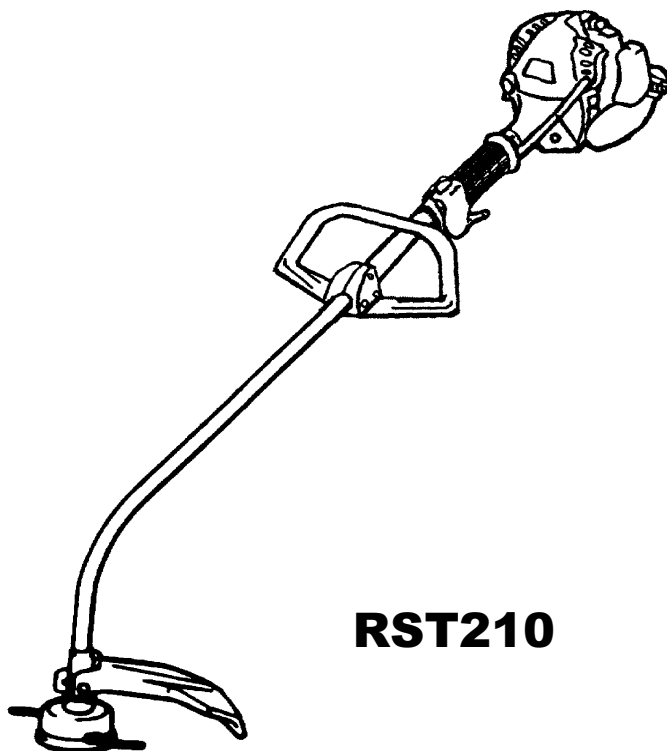
English / Italiano / Spanish



String Trimmer Tagliabordi Cortabordes

RST210

**INSTRUCTION MANUAL
ISTRUZIONI D'USO
MANUAL DE INSTRUCCIONES**



RST210

Important:

Read this instruction manual carefully before putting the String Trimmer into operation and strictly observe the safety regulations!
Preserve instruction manual carefully!

Importante:

Prima di mettere in funzione il tagliabordi, leggere attentamente il presente manuale; rispettare rigorosamente le norme di sicurezza!
Conservare il manuale delle istruzioni per l'uso!

Importante:

Leer cuidadosamente este manual de instrucciones antes de poner en marcha la máquina y observar estrictamente las normas de seguridad.
Conservar este manual de instrucciones con cuidado.

Thank you very much for purchasing the MAKITA String Trimmer. We are pleased to recommend to you the MAKITA String Trimmer which is the result of a long development programme and many years of knowledge and experience.

Please read this booklet which refers in detail to the various points that will demonstrate its outstanding performance. This will assist you to obtain the best possible result from your MAKITA String Trimmer.

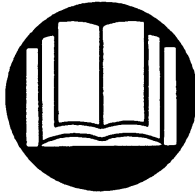






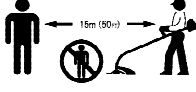














Table of Contents	Page
Symbols	2
Safety instructions	3
Technical data	6
Designation of parts	7
Mounting of handle	8
Mounting of protector	8
Mounting of nylon cutting head	8
Fuels/Refueling	9
Points in operation and how to stop	10
Nylon cutting head	11
Servicing instructions	13
Storage	15

SYMBOLS

You will note the following symbols when reading the instruction manual.

	Read instruction Manual		Do not use metal blades
	Take Particular Care and Attention		Top permissible tool speed max. 10000/min
	Forbidden		Fuel and oil mixture
	Keep distance		Engine-Manual start
	Flying object hazard		Emergency stop
	No smoking		First Aid
	No open flame		Recycling
	Protective gloves must be worn		ON/START
	Keep the area of operation clear of other persons and pets		OFF/STOP
	Wear eye and ear protection		

SAFETY INSTRUCTIONS

General Instructions

- To ensure correct operation, user has to read this instruction manual to make himself familiar with the handling of the string trimmer. Users insufficiently informed will risk danger to themselves as well as others due to improper handling.
- It is recommended only to lend the string trimmer to people who have proven to be experienced with string trimmers. Always hand over the instruction manual.
- First users should ask the dealer for basic instructions to familiarize oneself with the handling of an engine powered trimmer.
- Children and young persons aged under 18 years must not be allowed to operate the string trimmer. Persons over the age of 16 years may however use the device for the purpose of being trained only whilst under supervision of a qualified trainer.
- Use string trimmers with the utmost care and attention.
- Operate the string trimmer only if you are in good physical condition. Perform all work calmly and carefully. The operator has to accept liability for others.
- Never use the string trimmer after consumption of alcohol or drugs, or if feeling tired or ill.

Intended use of the machine

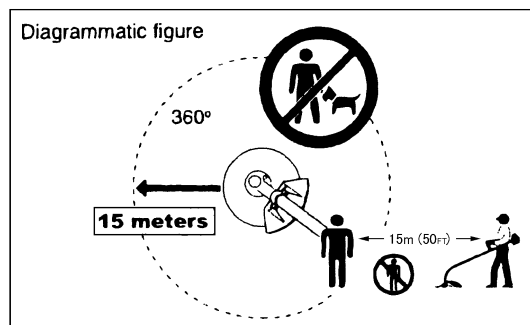
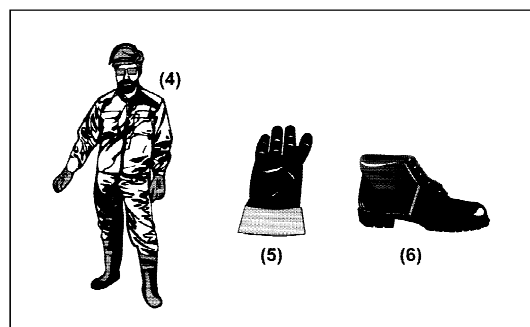
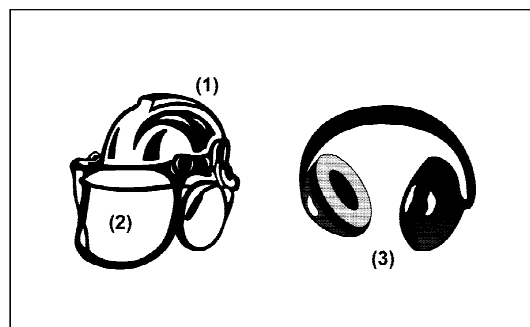
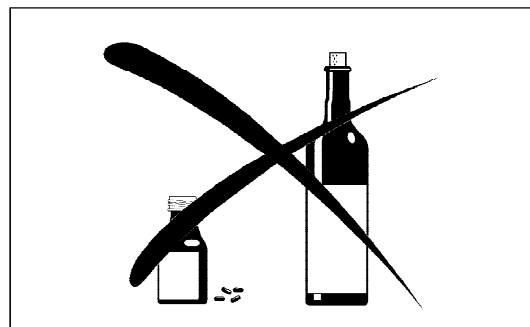
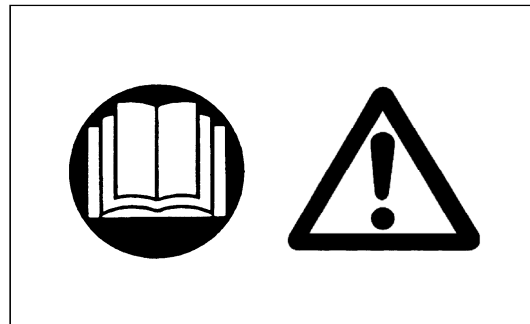
- The String Trimmer is only intended for cutter grass, weeds, Bushes, undergrowth it should not be used for any other purpose such as Edging or hedge cutting as this may cause injury.

Personal protective equipment

- The clothing worn should be functional and appropriate, i.e. it should be tight-fitting but not cause hindrance. Do not wear either jewelry or clothing which could become entangled with bushes or shrubs.
- In order to avoid either head-, eye-, hand- or foot injuries as well as to protect your hearing the following protective equipment and protective clothing must be used during operation of the string trimmer.
- Always wear a helmet where there is a risk of falling objects. The protective helmet (1) is to be checked at regular intervals for damage and is to be replaced at the latest after 5 years. Use only the approved protective helmets.
- The visor (2) of the helmet (or alternatively goggles) protects the face from flying debris and stones. During operation of the string trimmer always wear goggles, or a visor to prevent eye injuries.
- Wear adequate noise protection equipment to avoid hearing impairment (ear muffs (3), ear plugs etc.).
- The work overalls (4) protect against flying stones and debris. We strongly recommend that the user wears work overalls.
- Special gloves (5) made of thick leather are part of the prescribed equipment and must always be worn during operation of the string trimmer.
- When using the string trimmer, always wear safety shoes (6) with a non-slip sole. This protects against injuries and ensures a good footing.

Starting up the string trimmer

- Please make sure that there are no children or other people within a working range of 15 meters (50ft), also pay attention to any animals in the working vicinity.
- Before use always check that the string trimmer is safe for operation: Check the security of the nylon cutting head, the control lever for easy action.
- Rotation of the nylon cutting head during idling speed is not allowed. Check with your dealer for adjustment if in doubt. Check for clean and dry handles and test the function of the start/stop switch.



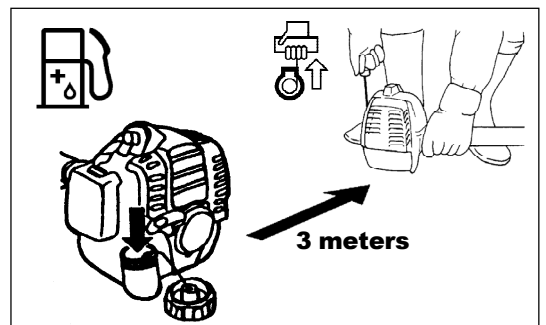
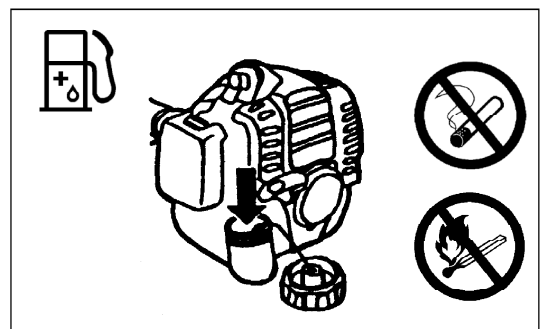
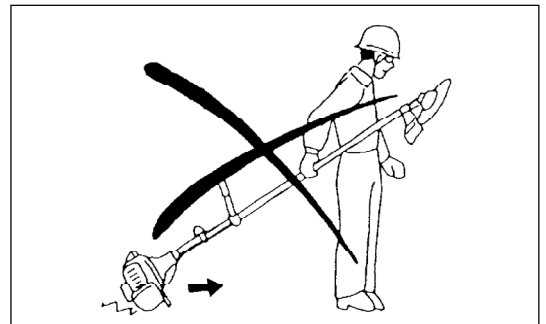
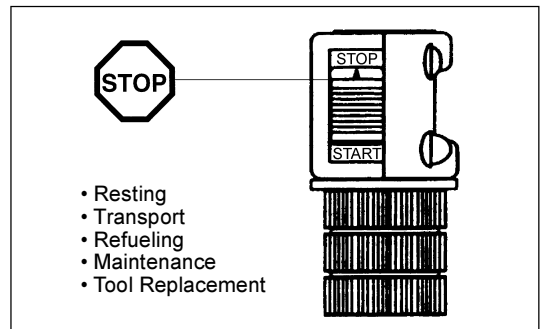
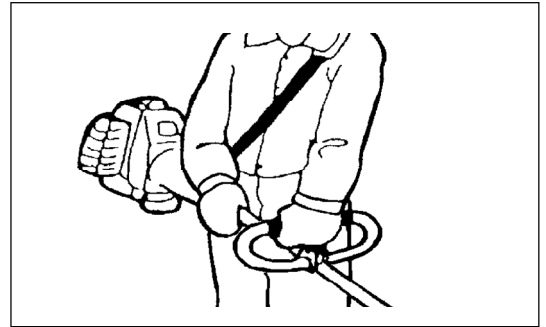
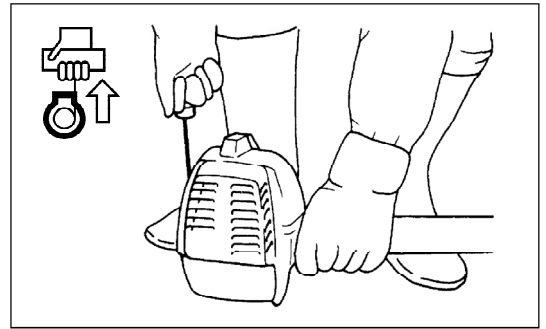
Start the string trimmer only in accordance with the instructions.

Do not use any other methods for starting the engine!

- Use the string trimmer and the tools only for such applications as specified.
- Only start the string trimmer engine, after the entire assembly is done. Operation of the device is only permitted after all the appropriate accessories are attached.
- Before starting make sure that the nylon cutting head has no contact with hard objects such as branches, stones etc. as the cutting tool will revolve when starting.
- The engine is to be switched off immediately in case of any engine problems.
- Should the nylon cutting head hit stones or other hard objects, immediately switch off the engine and inspect the nylon cutting head.
- Inspect the nylon cutting head at short regular intervals for damage (detection of hairline cracks by means of tapping-noise test).
- Operate the string trimmer only with the shoulder strap attached which is to be suitably adjusted before putting the string trimmer into operation. It is essential to adjust the shoulder strap according to the use's size to prevent fatigue occurring during use.
- During operation always hold the string trimmer with both hands. Always ensure a safe footing.
- Operate the string trimmer in such a manner as to avoid inhalation of exhaust gas. Never run the engine in enclosed rooms (risk of gas poisoning). Carbon monoxide is an odorless gas.
- Switch off the engine when resting and when leaving the string trimmer unattended, and place it in a safe location to prevent danger to others or damage to the machine.
- Never put the hot string trimmer onto dry grass or onto any combustible materials.
- The nylon cutting head has to be equipped with it's appropriate guard. Never run the trimmer without this guard.
- All protective installations and guards supplied with the machine must be used during operation.
- Never operate the engine with faulty exhaust muffler.
- Shut off the engine during transport.
- During transport over long distances the tool protection included with the equipment must always be used.
- Ensure safe position of the string trimmer during car transportation to avoid fuel leakage.
- When transporting the string trimmer, ensure that the fuel tank is completely empty.
- When unloading the String Trimmer from the truck, never drop the Engine to the ground or this may severely damage the fuel tank.
- Except in case of emergency, never drop or cast the String Trimmer to the ground or this may severely damage the String Trimmer
- Remember to lift the entire equipment from the ground when moving the equipment. Dragging the fuel tank is highly dangerous and will cause damage and leakage of fuel, possibly causing fire.

Refueling

- Shut off the engine during refuelling, keep away from open flames and do not smoke.
- Avoid skin contact with mineral oil products. Do not inhale fuel vapor. Always wear protective gloves during refuelling. Change and clean protective clothing at regular intervals.
- Take care not to spill either fuel or oil in order to prevent soil contamination (environmental protection). Clean the string trimmer immediately after fuel has been spilt.
- Avoid any fuel contact with your clothing. Change your clothing instantly if fuel has been spilt on it (to prevent clothing catching fire).
- Inspect the fuel cap at regular intervals making sure that it can be securely fastened and does not leak.
- Carefully tighten the fuel tank cap. Change location to start the engine (at least 3 meters away from the place of refuelling).
- Never refuel in closed rooms. Fuel vapors accumulate at ground level (risk of explosion).
- Only transport and store fuel in approved containers. Make sure the fuel stored is not accessible to children.



Method of operation

- Only use the string trimmer in good lighting and visibility. During the winter season beware of slippery or wet areas, ice and snow (risk of slipping). Always ensure a safe footing.
- Never cut above the waist height.
- Never stand on a ladder and run the string trimmer.
- Never climb up trees to perform cutting operation with the string trimmer.
- Never work on unstable surfaces.
- Remove sand, stones, nails etc. found within the working range. Foreign particles may damage the nylon cutting head and can cause dangerous kick-backs.
- Before commencing cutting, the nylon cutting head must have reached full working speed.

Cutting Tools

Employ only the correct nylon cutting head for the job in hand.

For cutting thick materials, such as weed, high grass, bushes, shrubs, underwood, thicket etc. (max. 2 cm dia. thickness). Perform this cutting work by swinging the string trimmer evenly in half-circles from right to left (similar to using a scythe).

Maintenance instructions

- The condition of the trimmer also of the shoulder strap must be checked before commencing work.
- Turn off the engine and remove the spark plug connector when replacing, and also when cleaning the nylon cutting head.
- Operate the string trimmer with as little noise and contamination as possible. In particular, check the correct setting of the carburetor.
- Clean the string trimmer at regular intervals and check that all screws and nuts are well tightened.
- Never service or store the string trimmer in the vicinity of naked flames.
- Always store the string trimmer in locked rooms and with an emptied fuel tank.

Observe the relevant accident prevention instructions issued by the relevant trade associations and by the insurance companies.
Do not perform any modifications on the string trimmer as this will endanger your safety.

The performance of maintenance or repair work by the user is limited to those activities as described in the instruction manual. All the other work is to be done by an Authorized Service Agent. Use only genuine spare parts and accessories released and supplied by MAKITA.
Use of non-approved accessories and tools means increased risk of accidents.
MAKITA will not accept any liability for accidents or damage caused by the use of non-approved nylon cutting heads and fixing devices of nylon cutting heads, or accessories.

First Aid

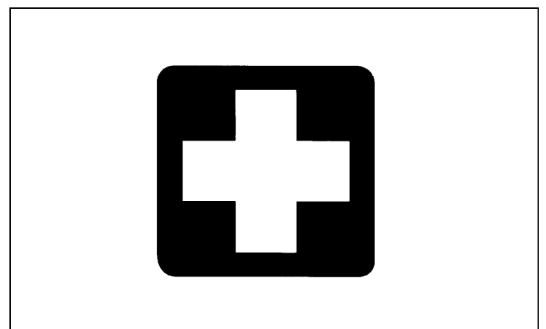
In case of accident, make sure that a first-aid box is available in the vicinity of the cutting operations. Immediately replace any item taken from the first aid box.

When asking for help, please give the following information:

- Place of accident
- What happened
- Number of injured persons
- Kind of injuries
- Your name

Packaging

The MAKITA String trimmer will be delivered in two protective cardboard boxes to prevent transport damage. Cardboard is a basic raw material and is therefore consequently reusable or suitable for recycling (waste paper recycling).



EC-DECLARATION OF CONFORMITY

Model; RST210

We declare under our sole responsibility that this product is in compliance with the following standards of standardized documents, ISO11806, EN55012 in accordance with Council Directives, 89/392/EEC, amended 98/37/EEC, 93/68/EEC, 89/336/EEC, amended 92/31/EEC.

Measured Sound Power: 107.1 dB

Guarantee Sound Power: 108.7 dB

These sound power levels were measured in accordance with Council Directive, 2000/14/EC.

Conformity assessment procedure: Annex V.

CE2007



Tomoyasu Kato
Director

Responsible Manufacturer:

Makita Corporation.

3-11-8, Sumiyoshi-cho, Anjo, Aichi, JAPAN

Authorized Representative in Europe:

Makita International Europe Ltd.

Michigan Drive, Tongwell, Milton Keynes, Bucks MK15 8JD, ENGLAND

TECHNICAL DATA RST210

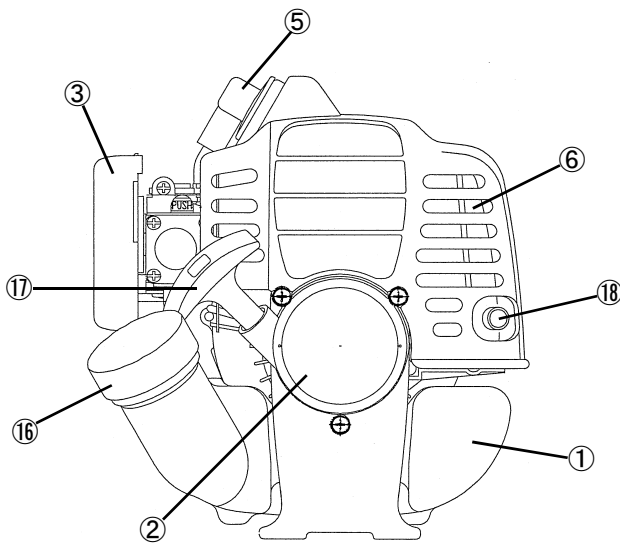
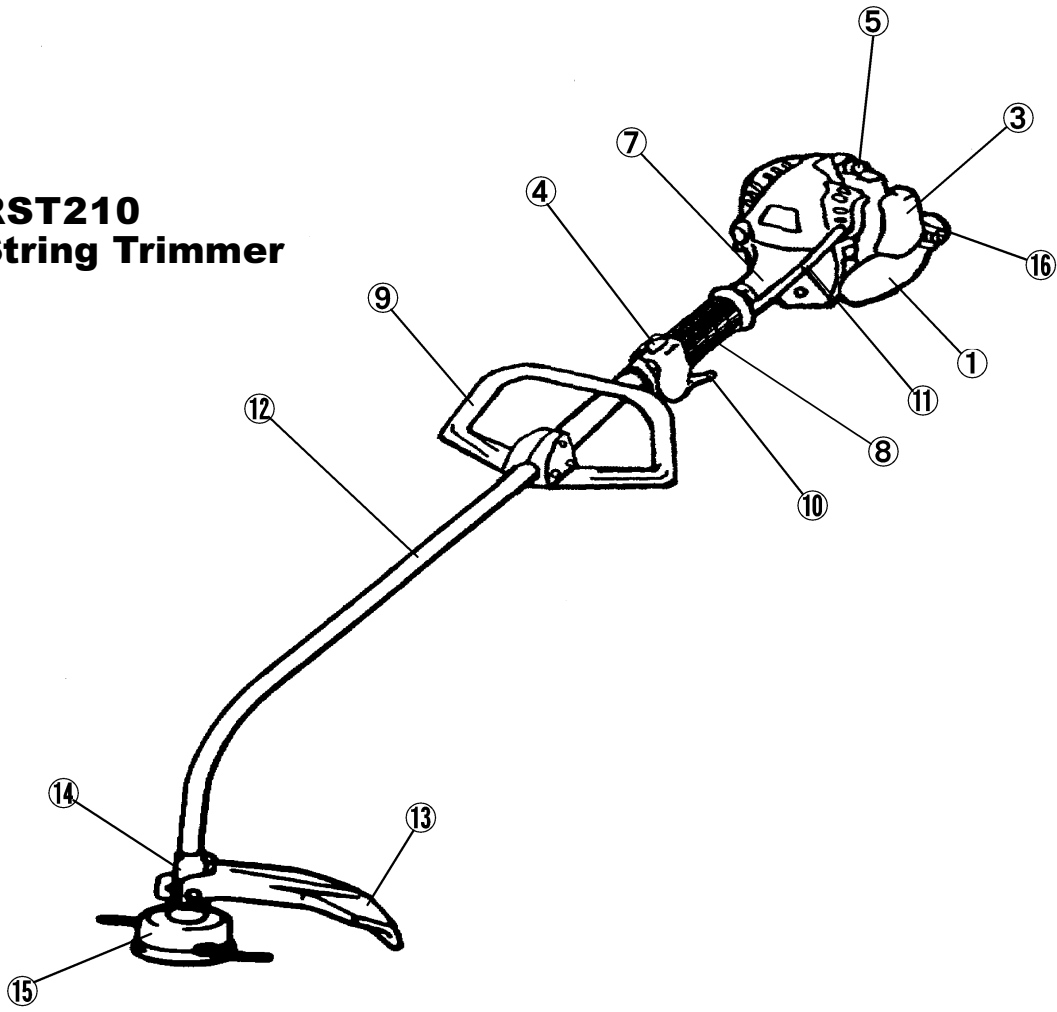
Model		RST210	
		Loop handle	
		Nylon cutting head	
Dimensions : length x width x height (without cutting blade)		mm	1540 x 210 x 430
Mass (without plastic guard and cutting blade)		kg	3.8
Volume (fuel tank)		L	0.4
Engine displacement		cm ³	21.0
Maximum engine performance		kw	0.62 at 7000 min ⁻¹
Engine speed at recommended max. spindle speed		min ⁻¹	7000
Maximum spindle speed (corresponding)		min ⁻¹	7000
Idling speed		min ⁻¹	3000
Clutch engagement speed		min ⁻¹	4000
Carburetor (Diaphragm - carburetor)		type	TK TZ9V
Ignition system		type	Solid state ignition
Spark plug		type	BPMR7A
Electrode gap		mm	0.6 - 0.7
Vibration per ISO 7916 ¹⁾	Right handle Idling (Rear grip)	Idling	m/s ² 3.9
		Racing or W.O.T	m/s ² 10.14
	Left handle (Frontgrip)	Idling	m/s ² 6.74
		Racing or W.O.T	m/s ² 9.47
Sound pressure level average to ISO 7917 ¹⁾		db(A)	93.0
Sound power level average to ISO 10884 ¹⁾		db(A)	104.1
Mixture ratio			50 : 1

1) The data is prepared taking equally into account the idling and racing or wide open throttle speed operating modes.

* **WARNING: MODEL RST210 must not be used with a metal blade.**

DESIGNATION OF PARTS

**RST210
String Trimmer**



GB	DESIGNATION OF PARTS
1	Fuel Tank
2	Rewind Starter
3	Air Cleaner cover
4	I-O Switch (on/off)
5	Spark Plug
6	Exhaust Muffler
7	Clutch Case
8	Rear Grip
9	Handle
10	Control Lever
11	Control Cable
12	Shaft
13	Protector
14	Head Case
15	Nylon Cutting Head
16	Fuel Filler Cap
17	Starter Knob
18	Exhaust Pipe

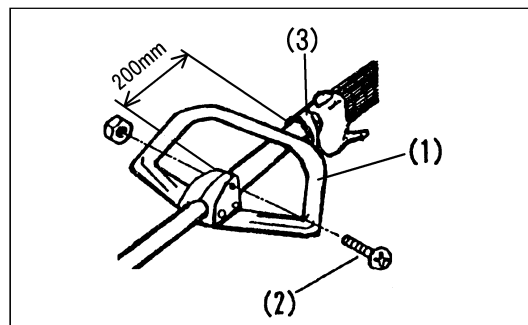
MOUNTING OF HANDLE

CAUTION: Before doing any work on the string trimmer, always switch off the engine and pull the spark plug connector off the spark plug. Always wear protective gloves.

CAUTION: Start the string trimmer only after having assembled it completely.

For machine with Loop handle

- Attach the handle to the shaft.
- After the loop handle (1) is in place, tighten the three screws (2). Be sure the bolts are tight, but do not over tighten.
- Adjust the handle to the desired position over 200mm away from the rear grip (3) and tighten the three screws (2).



MOUNTING OF PROTECTOR

To meet the applicable safety provisions, only the tool/protector combinations as indicated in the table must be used.

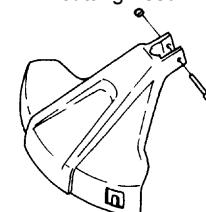
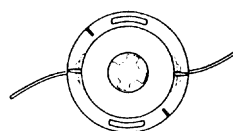
Be sure to use genuine MAKITA nylon cutting head.

- If the nylon cutting head hits against a stone during operation, stop the engine and check the nylon cutting head immediately.



Nylon cutting head

Protector for nylon cutting head



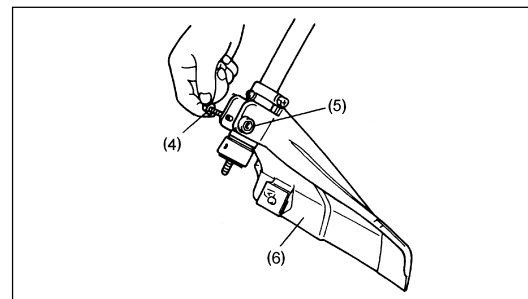
PART NO. 6168020000

PART NO. 6168016001-1

- Attach the protector (6) to the shaft.
- Insert the nut M6 (5) into the hex hole in the protector (6).
- Secure the protector with the installation bolt M6 x 45 (4).

NOTE:

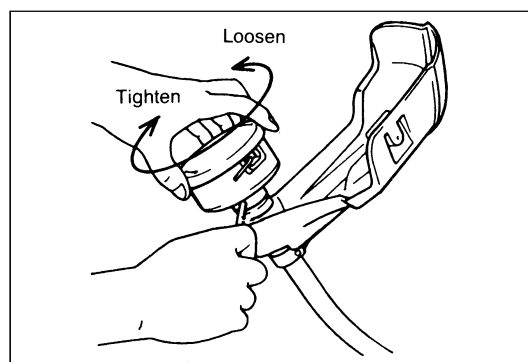
Do not tighten the installation bolt M6 x 45 (4) excessively.



MOUNTING OF NYLON CUTTER HEAD

Turn the machine upside down, and you can replace the nylon cutting head.

- Insert the hex wrench provided through the hole in the head case and rotate the support washer until it is locked with the hex wrench (or the shaft is locked).
- Screw the nylon cutting head onto the shaft.



FUELS/REFUELING



Handling fuel

Utmost care is required when handling fuel. Fuel may contain substances similar to solvents. Refuel either in a well-ventilated room or outdoors. Do not inhale fuel vapors; avoid any contact of fuel or oil with your skin.

Mineral oil products degrease your skin. If your skin comes in contact with these substances repeatedly and for an extended period of time, it will desiccate.

Various skin diseases may result. In addition, allergic reactions may occur. Eyes can be irritated by contact with oil. If oil comes into your eyes, immediately wash them with clear water. If your eyes are still irritated, see a doctor immediately!



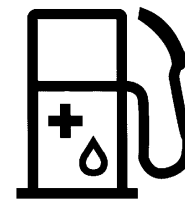
Observe the Safety Instructions on page 4.

Fuel and oil mixture

The engine of the String trimmer is a high-efficiency two-stroke engine. It is run with a mixture of fuel and two-stroke engine oil. The engine is designed for unleaded regular fuel with a min. octane value of 91 RON. In case no such fuel is available, you can use fuel with a higher octane value. This will not affect the engine, but may cause poor operating behaviour.

A similar situation will arise from the use of leaded fuel. To obtain optimum engine operation and to protect your health and the environment, only unleaded fuel should be used!

For lubricating the engine use a two-stroke engine oil (quality grade: TC-3), which is added to the fuel. The engine has been designed to use specified two-stroke engine oil at mixture ratio of 50:1 to protect the environment. In addition, a long service life and a reliable operation with a minimum emission of exhaust gases is guaranteed. It is absolutely essential to observe a mixture ratio of 50:1 (specified 2-stroke engine oil), as otherwise reliable function of the String trimmer cannot be guaranteed.





The correct mixture ratio:

Gasoline : Specified two-stroke engine oil = 50 : 1 or

Gasoline : Other manufacturer's two-stroke engine oil = 25 : 1
recommended

NOTE: For preparing the fuel-oil mixture first mix the entire oil quantity with half of the fuel required, then add the remaining fuel. Thoroughly shake the mixture before filling it into the String trimmer tank. It is not wise to add more engine oil than specified to ensure safe operation.

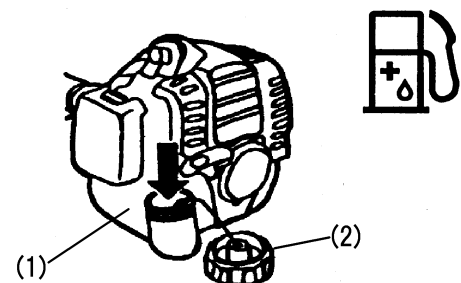
This will only result in a higher production of combustion residues which will pollute the environment and clog the exhaust channel in the cylinder as well as the muffler. In addition, the fuel consumption will rise and the performance will decrease.

Gasoline	50:1	25:1
	+	
1000 cm ³ (1 liter)	20 cm ³	40 cm ³
5000 cm ³ (5 liter)	100 cm ³	200 cm ³
10000 cm ³ (10 liter)	200 cm ³	400 cm ³

Refuelling

The engine must be switched off!

- Thoroughly clean the area around the fuel filler cap (2), to prevent dirt from getting into the fuel tank (1).
- Unscrew the fuel filler cap (2) and fill the tank with fuel.
- Tightly screw on the fuel filler cap (2).
- Clean screw fuel filler cap (2) and tank after refueling!



Storage of Fuel

Fuel cannot be stored for an unlimited period of time.

Purchase only the quantity required for a 4 week operating period. Only use approved fuel storage containers.

POINTS IN OPERATION AND HOW TO STOP

Observe the applicable accident prevention regulations!



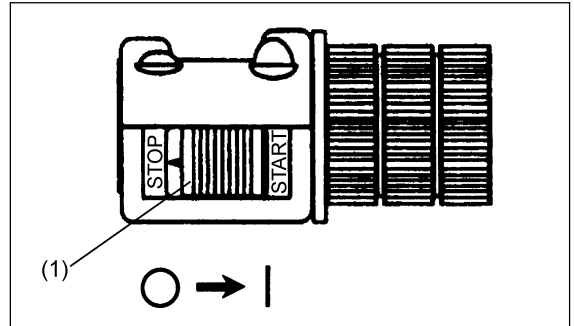
Starting


Move at least 3m away from the place of refuelling. Place the String trimmer on a clean piece of ground taking care that the cutting tool does not come into contact with the ground or any other objects.

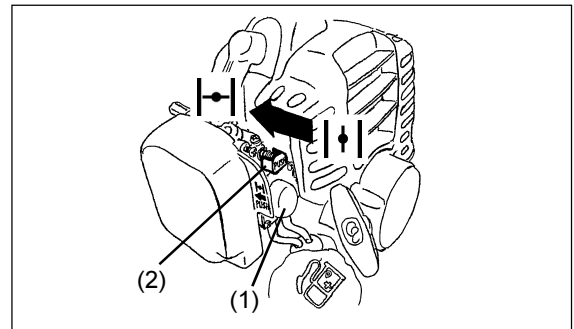
Cold start


For machine with Loop Handle

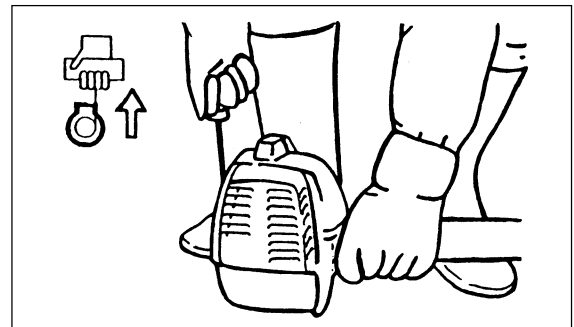
- Push the I-O switch (1) in the direction shown by the arrow.




- First place the machine on the ground.
- Give a gentle push on the primer pump (1) repeatedly (7-10 times) until fuel comes into the primer pump.
- Push the choke button (2) to the position “”



- Firmly hold the clutch case by your left hand, as illustrated.
- Slowly pull the starter grip until resistance is felt and continue with a smart pull.
- Do not pull out the starter rope to its full extent and do not allow the starter handle to be retracted without control, but ensure that it is retracted slowly.
- Repeat the starting operation until initial ignitions are heard.
- When the engine starts, please open the throttle lever a little. The choke button being automatic, it returns to original position “”.



- Run the engine for approximately one minute at a moderate speed before applying full throttle.

Note: – If the starter handle is pulled repeatedly when the choke button remains at “” position, the engine will not start easily due to excessive fuel intake.

- In case of excessive fuel intake, remove the spark plug and pull the starter handle slowly to remove excess fuel. Also, dry the electrode section of the spark plug.

Caution during operation:

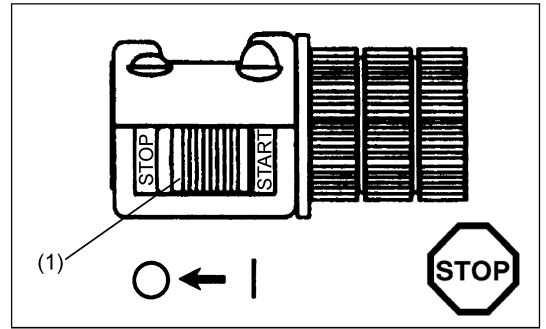
If the throttle lever is opened fully in a no-load operation, the engine rotation is increased to 10,000 min⁻¹ or more. Never operate the engine at a higher speed than required and at an approximate speed of 6,000 - 8,000 min⁻¹.

Starting the warm engine

- As described above, except without moving the choke button.

STOPPING

- Release the throttle lever fully, and when the engine rpm has lowered, push the I-O switch (1) to "O" position the engine will now stop.
- Be aware that the cutting head may not stop immediately and allow it to slow down fully.

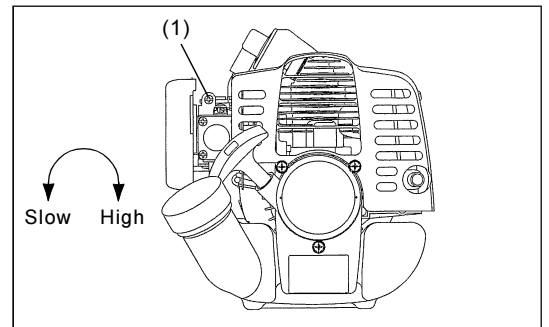


ADJUSTMENT OF LOW-SPEED ROTATION (IDLING)

The nylon cutting head should not run when the control lever is fully released. If necessary, adjust the idle rpm using the idle adjusting screw.

Checking the Idling speed

- Idle speed should be set to 3,000 min⁻¹. If necessary correct it by means of the idle screw (the nylon cutting head must not turn when the engine is on idle). Screwing in the screw (1) will cause an increase in the engine speed, whereas backing off the screw will reduce the engine speed.

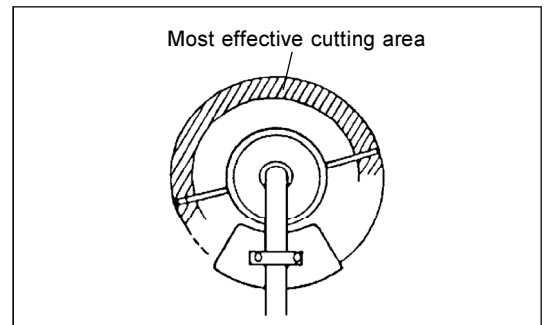


NYLON CUTTING HEAD

The nylon cutting head is a dual string trimmer head capable of both automatic and bump & feed mechanisms. The nylon cutting head will automatically feed out the proper length of nylon cord by the changes in centrifugal force caused by increasing or decreasing RPMS. However, to cut soft grass more efficiently, bump the nylon cutting head against the ground to feed out extra cord as indicated under operation section.

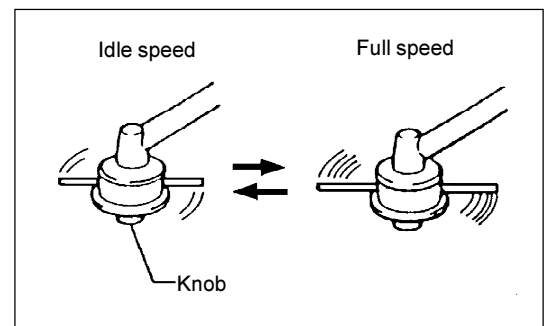
Operation

- Increase the nylon cutting head speed to approx. 6,000 min⁻¹. Low speed (under 4,800min⁻¹) is not suitable, the nylon cord will not feed out properly at low speed.
- The most effective cutting area is shown by the shaded area.



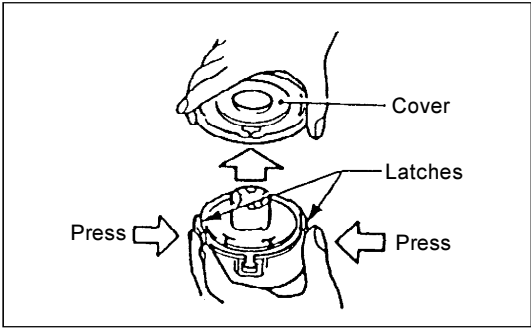
If the nylon cord does not feed out automatically proceed as follows:

1. Release the control lever to run the engine idle and then squeeze the control lever fully. Repeat this procedure until the nylon cord feeds out to the proper length.
2. If the nylon cord is too short to feed out automatically with the above procedure, bump the knob of the nylon cutting head against the ground to feed out the nylon cord.
3. If the nylon cord does not feed out with procedure 2, rewind/replace the nylon cord by following the procedures described under "Replacing the nylon cord".

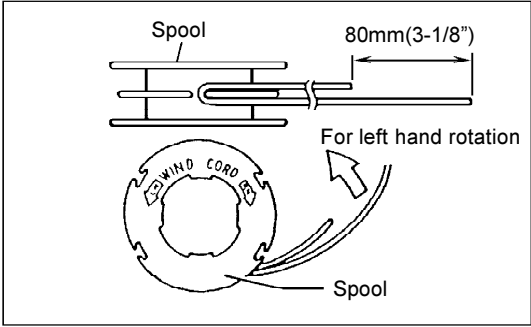


Replacing the nylon cord

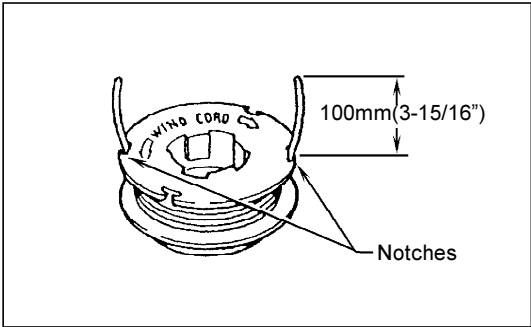
- First, stop the engine.
- Press on the housing latches inward to lift off the cover, then remove the spool.



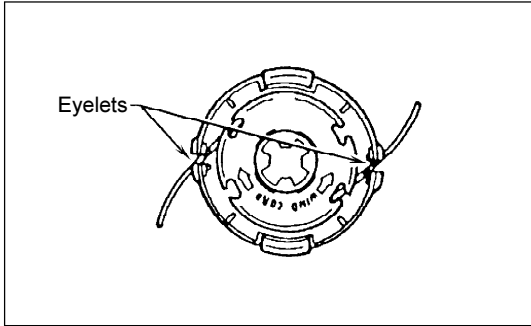
- Hook the center of new nylon cord into the notch in the center of the spool, with one end of the cord extending about 80mm (3-1/8") more than the other. Then wind both ends firmly around the spool in the direction of the head rotation (left-hand direction indicated by LH and right-hand direction by RH on the side of the spool).



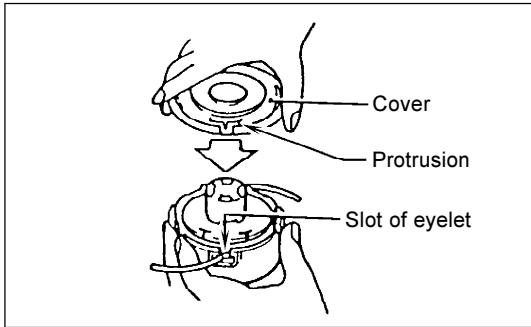
- Wind all but about 100mm (3-15/16") of the cords, leaving the ends temporarily hooked through a notch on the side of the spool.



- Mount the spool in the housing so that the grooves and protrusions on the spool match up with those in the housing. Keep the side with letters on the spool visible on the top. Now, unhook the ends of the cord from their temporary position and feed the cords through the eyelets to come out of the housing.



- Align the protrusion on the underside of the cover with the slots of the eyelets. Then push cover firmly onto the housing to secure it.



SERVICING INSTRUCTIONS



CAUTION: Before doing any work on the string trimmer, always switch off the engine and pull the plug cap off the spark plug (see “checking the spark plug”).
Always wear protective gloves!

To ensure a long service life and to avoid any damage to the equipment, the following servicing operations should be performed at regular intervals.

Daily checkup and maintenance

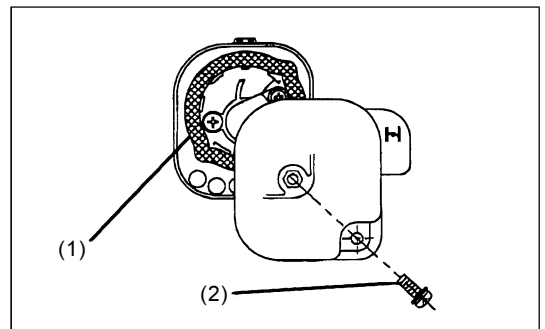
- Before operation, check the machine for loose screws or missing parts. Pay particular attention to the tightness of the nylon cutting head.
- Before operation, always check for clogging of the cooling air passage and the cylinder fins.
Clean them if necessary.
- Perform the following work daily after use:
 - Clean the string trimmer externally and inspect for damage.
 - Clean the air filter. When working under extremely dusty conditions, clean the filter the several times a day.
 - Check the nylon cutting head for damage and make sure it is firmly mounted.
 - Check that there is sufficient difference between idling and engagement speed to ensure that the nylon cutting head is at a standstill while the engine is idling (if necessary, reduce idling speed).
If under idling conditions the tool should still continue to run, consult your nearest Authorized Service Agent.
- Check the functioning of the I-O switch, the lock-off lever, the control lever.

Cleaning of air cleaner

Clogging of the element (1) may sometimes make it difficult or impossible to start up the engine or increase the engine speed.

After the end of operation, be sure to clean the air cleaner as mentioned below.

- Remove the air cleaner cover screw.
- Place the finger under the air cleaner cover, push down the cover lower part, and detach the air cleaner cover.
- Take out the element (1), clean it with lukewarm water mixed with neutral detergent, and dry it completely.
- After cleaning, attach the element.
- Insert the claw at the case upper part into the hole at the upper part of the air cleaner cover. Then, attach the air cleaner cover by pushing it, and tighten the screw (2).

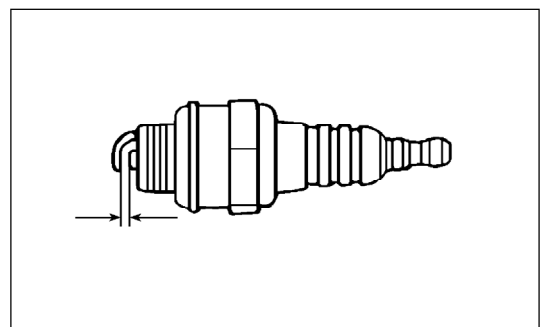


NOTE: If there is excessive dust or dirt adhering to the air cleaner, clean it every day. A clogged air cleaner may make it difficult or impossible to start the engine or increase the engine rotational speed.

Checking the spark plug

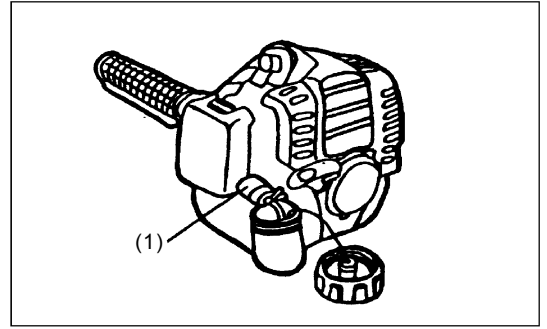
- Only use the supplied universal wrench to remove or to install the spark plug.
- The gap between the two electrodes of the spark plug should be 0.6 - 0.7 mm (0.024" - 0.028"). If the gap is too wide or too narrow, adjust it. If the spark plug is clogged with carbon or fouled, clean it thoroughly or replace it.

CAUTION: Never touch the spark plug connector while the engine is running (danger of high voltage electric shock).



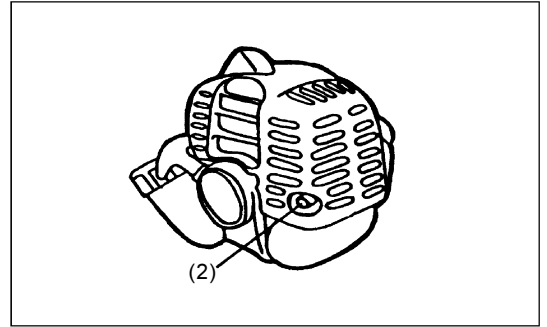
Suction head in the fuel tank

- The felt filler (1) of the suction head is used to filter the fuel required by the carburetor.
- A periodical visual inspection of the felt filter is to be conducted. For that purpose open the tank cap, use a wire hook and pull out the suction head through the tank opening. Filters found to have hardened, been polluted or clogged up are to be replaced.
- Insufficient fuel supply can result in the admissible maximum speed being exceeded. It is therefore important to replace the felt filter at least quarterly to ensure satisfactory fuel supply to the carburetor.



Cleaning of muffler exhaust port

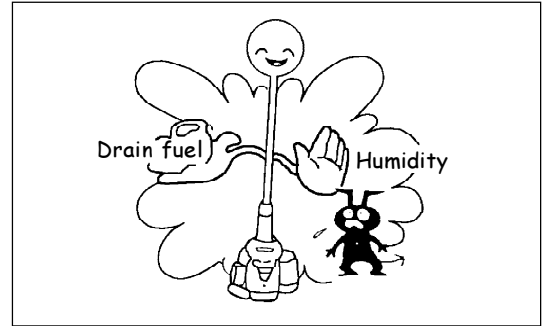
- Check of muffler exhaust port (2) regularly.
- If it is clogged by carbon deposits, carefully scratch the deposits out with a suitable tool.



Any maintenance of adjustment work that is not included and described in this manual is only to be performed by Authorized Service Agents.

STORAGE

- When the machine is in storage for a long time, drain fuel from the fuel tank and carburetor, as follows: Drain all fuel from the fuel tank. Dispose of properly and in accordance with all local laws.
- Remove the spark plug and a few drops of oil into the spark plug hole. Then, pull the starter gently, so that oil covers the engine inside and tighten the spark plug.
- Clear dirt or dust from the nylon cutting head and outside of engine, wipe them with a oil-immersed cloth and keep the machine in a place as dry as possible.



Maintenance schedule

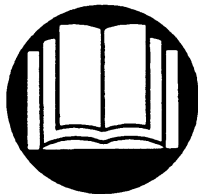
General	Engine assembly, screws and nuts	Visual inspection for damage and tightness Check for general condition and security
After each refuelling	Control lever I-O-switch	Functional check Functional check
Daily	Air filter Cooling air duct Cutting tool Idling speed	To be cleaned To be cleaned Check for damage and sharpness Inspection (cutting tool must not move)
Weekly	Spark plug Muffler	Inspection, replace if necessary Check and if necessary clean the opening
Quarterly	Suction head Fuel tank	To be replaced To be cleaned
Shuting down procedure	Fuel tank Carburetor	Empty fuel tank Operate until engine runs out of fuel

Fault location

Fault	System	Observation	Cause
Engine not starting or with difficulty	Ignition system	Ignition spark O.K.	Fault in fuel supply or compression system, mechanical defect
		No ignition spark	I-O switch operated, wiring fault or short circuit, spark plug or connector defective, ignition module faulty
	Fuel supply	Fuel tank filled	Incorrect choke position, carburetor defective, fuel supply line bent or blocked, fuel dirty.
	Compression	No compression when pulled over	Cylinder bottom gasket defective, crankshaft seals damaged, cylinder or piston rings defective or improper sealing of spark plug
Warm start problems	Mechanical fault	Starter not engaging	Broken starter spring, broken parts inside of the engine
		Tank filled ignition spark existing	Carburetor contaminated, must be cleaned
Engine starts but dies	Fuel supply	Tank filled	Incorrect idling adjustment, carburetor contaminated Fuel tank vent defective, fuel supply line interrupted, cable or I-O switch faulty
Insufficient performance	Several systems may simultaneously be affected	Engine idling poor	Air filter contaminated, carburetor contaminated, muffler clogged, exhaust duct in the cylinder clogged

Vi ringraziamo per aver scelto il Tagliabordi MAKITA. Siamo lieti di consigliarvi l'uso di questo utensile che é il risultato di un lungo programma di sviluppo e parecchi anni di pratica ed esperienza.

Vi preghiamo di leggere questo opuscolo che descrive in ogni dettaglio le straordinarie prestazioni del Tagliabordi. Leggendolo attentamente potrete ottenere ottimi risultati dal vostro Tagliabordi MAKITA.



Indice	Pagina
Simboli	16
Norme di sicurezza	17
Dati tecnici	20
Nomi delle parti	21
Montaggio dell'impugnatura	22
Montaggio delle protezioni	22
Montaggio della testa di taglio	22
Carburanti/rifornimento	23
Chiavi in messa in funzione et arresto della macchina	24
Testa da taglio con filo di nylon	25
Istruzioni di manutenzione	27
Immagazzinaggio	29

SIMBOLI

Nel manuale d'istruzioni sono contenuti i seguenti simboli:

	Leggere il manuale d'istruzioni		Non utilizzare lame di metallo
	Prestare particolare attenzione		Velocità massima dell'utensile consentita max. 10000min
	Da non fare		Miscela del carburante e olio
	Stare a distanza		Avviamento a strappo
	Pericolo di schegge		Arresto di emergenza
	Vietato fumare		Pronto soccorso
	Non utilizzare fiamme libere		Riciclaggio
	Indossare guanti di protezione		On/Avviamento
	Tenere persone ed animali lontano dal raggio d'azione dell'utensile		Off/Arresto
	Indossare occhiali e cuffie		

NORME DI SICUREZZA

Istruzioni generali

- Per assicurare un uso corretto, si raccomanda di leggere il presente manuale d'istruzioni in modo da acquisire familiarità con l'uso del Tagliabordi. Un uso scorretto dell'utensile può provocare danni sia all'utilizzatore che ad altre persone.
- Si raccomanda di prestare l'utensile solo a persone veramente esperte. Insieme all'utensile consegnare anche il manuale d'istruzioni.
- Chi utilizza questi utensili per la prima volta deve informarsi presso il rivenditore circa le nozioni basilari riguardanti l'impiego di utensili da taglio a motore.
- E' vietato l'uso del Tagliabordi a minorenni. I giovani con età superiore ai 16 anni possono tuttavia utilizzare l'utensile a scopo di addestramento, sotto la supervisione di persone qualificate.
- Utilizzare il Tagliabordi prestando la massima attenzione.
- Utilizzare il Tagliabordi solo in condizioni fisiche perfette. Eseguire il lavoro con calma e molta cura. L'utilizzatore è responsabile verso terzi.
- Non utilizzare mai il Tagliabordi sotto l'effetto di alcolici o droghe o se ci si sente stanchi o malati.

Uso previsto della macchina

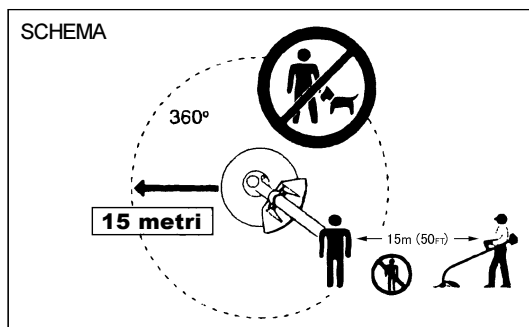
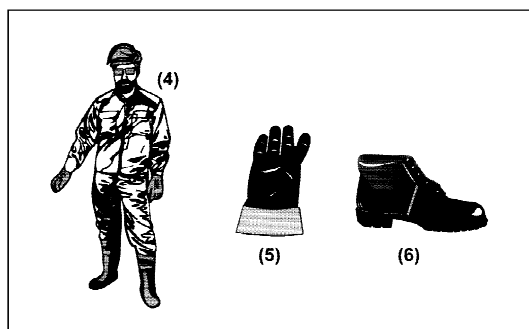
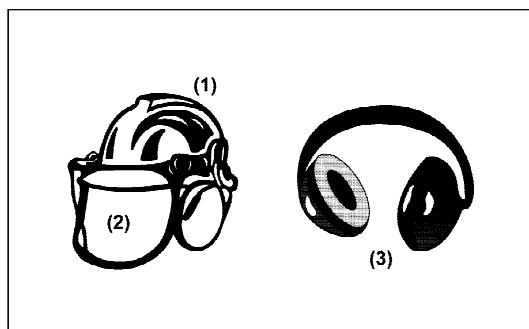
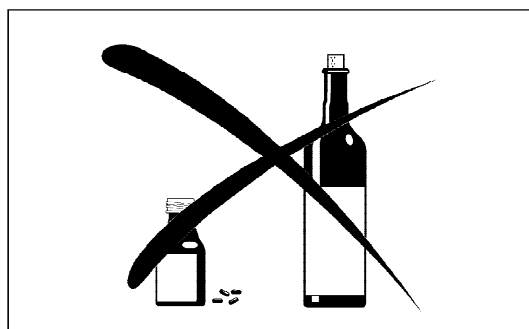
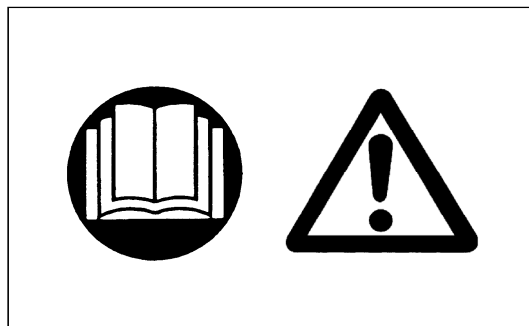
- Il Tagliabordi è disegnato solo per tagliare delle erbacce, sottoboschi e degli arbusti. Non usare la macchina per tagli di bordi o di siepi che potrebbero causare una ferita.

Abbigliamento di protezione

- Gli indumenti devono essere funzionali e adatti allo scopo; devono infatti essere aderenti senza impedire i movimenti. Non indossare gioielli o capi di abbigliamento che potrebbero impigliarsi nei cespugli o negli arbusti.
- Onde evitare di ferirsi e per proteggere l'udito, è necessario indossare l'abbigliamento di protezione di seguito descritto.
- Indossare sempre un elmetto quando esiste il rischio che cadano oggetti. L'elmetto protettivo (1) va controllato regolarmente e sostituito al massimo ogni 5 anni. Utilizzare solo elmetti protettivi omologati.
- La visiera (2) dell'elmetto (o, in alternativa, gli occhiali) protegge il viso da schegge e pietre. La visiera o gli occhiali vanno sempre indossati quando si usa il Tagliabordi.
- Onde evitare danni all'udito, indossare un'attrezzatura che protegga dal rumore (cuffie, auricolari, ecc.).
- Si raccomanda di indossare la tuta (4) per proteggere il corpo da pietre e schegge.
- L'abbigliamento di protezione prevede anche un paio di guanti speciali (5) di pelle di grosso spessore.
- Indossare sempre scarpe robuste (6) con suola antiscivolo che, oltre a proteggere, garantiscono un buon equilibrio della persona.

Avviamento del Tagliabordi

- Assicurarsi che non vi siano persone o animali entro un raggio di 15 metri.
- Prima di avviare il Tagliabordi eseguire i seguenti controlli:
Verificare la sicurezza della testa da taglio e il buon funzionamento della leva di comando e del relativo dispositivo di bloccaggio.
- Non ruotare la testa da taglio quando il motore è al minimo. In caso di dubbi controllare con il rivenditore. Controllare che le impugnature siano pulite ed asciutte e che l'interruttore on/off funzioni perfettamente.



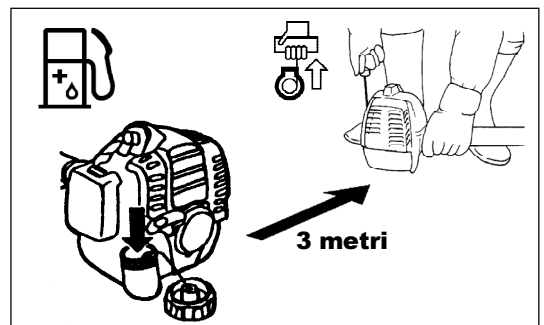
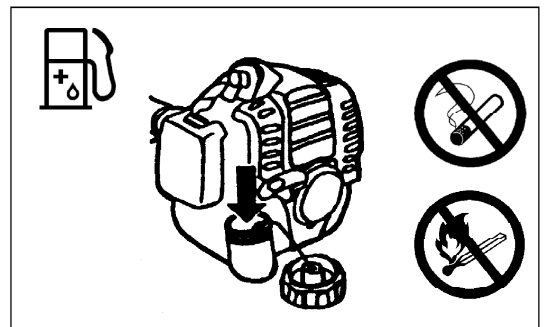
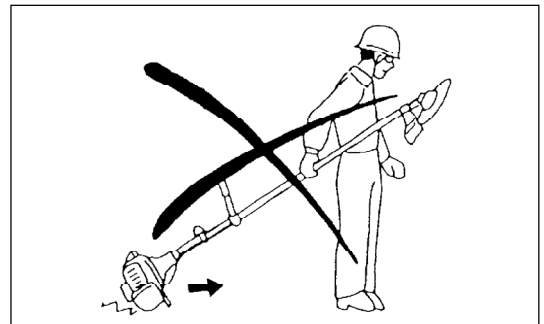
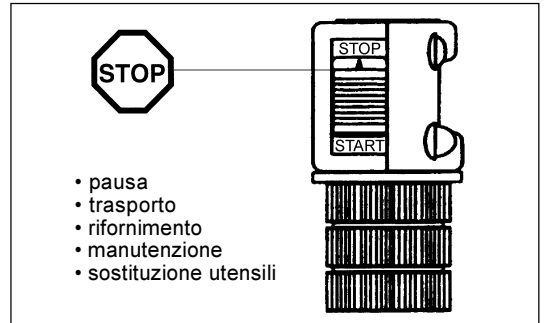
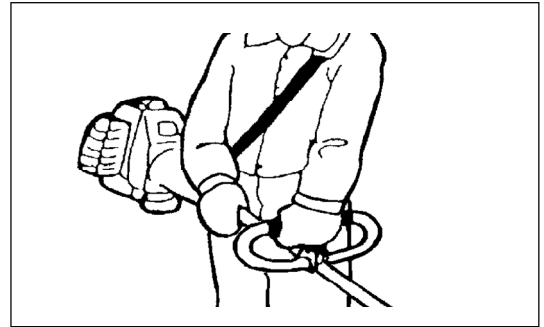
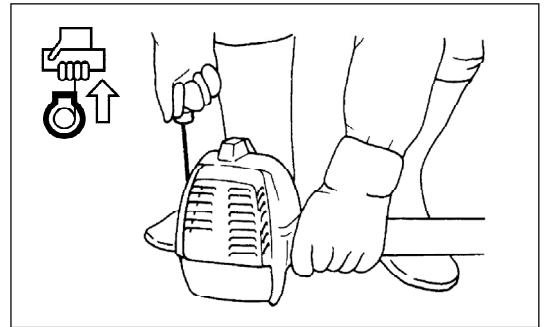
Mettere in funzione il Tagliabordi come indicato nelle istruzioni.

Non utilizzare altri metodi per avviare il motore!

- Utilizzare il Tagliabordi e gli utensili solo per gli impieghi previsti.
- Avviare il motore del Tagliabordi solo dopo aver completato il montaggio dell'utensile. E' consentito l'uso della macchina solo a collegamento avvenuto di tutti gli accessori necessari!
- Prima di avviare la macchina controllare che la testa da taglio non entri in contatto con oggetti duri, ad esempio rami, pietre, ecc. perché l'testa da taglio inizia a girare quando il motore viene avviato.
- Il motore va spento immediatamente in caso di problemi.
- Spegner subito il motore e controllare la testa da taglio nel caso in cui quest'ultimo colpisca pietre o altri oggetti duri.
- Controllare regolarmente che la testa da taglio non sia danneggiato (rilevamento di incrinature capillari superficiali tramite prova di picchiettamento).
- Prima di avviare il Tagliabordi, applicare la cinghia a spalla e regolarla. E' molto importante che l'utilizzatore adatti la cinghia al proprio corpo onde evitare di affaticarsi durante il lavoro. Non tenere mai l'utensile con una mano sola mentre si lavora.
- Oltre a tenere l'utensile con entrambe le mani, mantenere una posizione di sicurezza che garantisca stabilità.
- Utilizzare il Tagliabordi in modo da evitare l'inalazione dei gas di scarico. Non far funzionare il motore in ambienti chiusi (pericolo di avvelenamento da gas). L'ossido di carbonio è un gas inodore.
- Spegner il motore durante le pause e quando si lascia l'utensile incustodito. Quest'ultimo va collocato in luogo sicuro onde evitare di provocare danni a persone o alla macchina stessa.
- Non appoggiare mai l'utensile caldo sull'erba secca o su materiali infiammabili
- La testa da taglio deve avere sempre la sua protezione. Non far funzionare mai la lama senza coperchio!
- Utilizzare tutti i dispositivi di protezione in dotazione alla macchina.
- Non far funzionare il motore con la marmitta guasta.
- Spegner il motore durante il trasporto.
- Utilizzare sempre le protezioni in dotazione all'utensile in caso di trasporto su lunghe distanze.
- In caso di trasporto in macchina, caricare con cura il Tagliabordi onde evitare perdite di carburante.
- In caso di spedizione, controllare che il serbatoio sia completamente vuoto.
- Nel caso di smontaggio delle Tagliabordi dal camioncino, non mai lasciare cadere il motore in terra, altrimenti questo gravemente danneggia il serbatoio di carburante.
- Eccetto nel caso d'urgenza, non mai lasciare o gettare la Tagliabordi in terra, altrimenti questo gravemente danneggia la Tagliabordi.
- Durante gli spostamenti assicurarsi di alzare perfettamente tutta la macchina dal terreno. Spostamenti ottenuti strisciando il serbatoio sul terreno sono estremamente pericolosi. Questi danneggiano infatti il serbatoio, causando perdite di combustibile e dando così origine a pericoli di incendio.

Rifornimento di carburante

- Durante il rifornimento, spegnere il motore, tenersi a distanza da fiamme libere e non fumare.
- Evitare il contatto della pelle con prodotti a base di olio minerale. Non inalare i vapori del carburante. Quando si esegue il rifornimento indossare sempre guanti di protezione. Cambiare e far lavare regolarmente l'abbigliamento di protezione.
- Fare attenzione a non versare carburante nè olio onde evitare l'inquinamento del terreno (protezione ambientale). Se si rovescia un po' di carburante, pulire immediatamente il Tagliabordi.
- Fare attenzione a non versare del carburante sui vestiti; in tal caso cambiarli immediatamente (per evitare che prendano fuoco).
- Controllare regolarmente il tappo del serbatoio e assicurarsi che si possa chiudere alla perfezione e che non perda.
- Serrare con cura il tappo del serbatoio. Cambiare posizione prima di avviare il motore (almeno 3 metri di distanza dal luogo in cui è stato eseguito il rifornimento).
- Non eseguire mai il rifornimento in ambienti chiusi. I vapori del carburante si accumulano a livello del terreno (pericolo di esplosione).
- Trasportare e conservare il carburante solo in contenitori omologati. Tenere il carburante fuori dalla portata dei bambini.



Funzionamento

- Utilizzare il Tagliabordi solo in presenza di buona illuminazione e ottima visibilità. Durante l'inverno fare attenzione a non scivolare sul bagnato, su ghiaccio o neve. Mettersi in posizioni che consentano di mantenere un buon equilibrio.
- Non eseguire tagli ad altezze al di sopra del livello delle spalle.
- Non utilizzare il Tagliabordi su una scala a pioli.
- Non salire sugli alberi per eseguire tagli con il Tagliabordi.
- Non lavorare stando su superfici instabili.
- Eliminare sabbia, pietre, chiodi o altro dalla zona di lavoro. Eventuali corpi estranei potrebbero danneggiare la testa da taglio e provocare pericolosi contraccolpi.
- Prima di iniziare a tagliare attendere che la testa da taglio abbia raggiunto la massima velocità.



Utensili da taglio

Usare solamente la testa da taglio adatto per il lavoro che si vuole eseguire.

Per tagliare materiali spessi, ad esempio erbacce, erba alta, arbusti, cespugli, sottobosco (max. spessore 2 cm). Far oscillare il Tagliabordi con movimenti regolari, semicircolari da destra verso sinistra (come una falce).



Manutenzione

- Prima di iniziare il lavoro controllare le condizioni della macchina, in particolare la testa da taglio, i dispositivi di protezione e la cinghia a spalla.
- Spegnere il motore e togliere il connettore della candela d'accensione prima di sostituire e di pulire la macchina o la testa da taglio.

- Utilizzare il Tagliabordi con il minor rumore e inquinamento possibile. In particolare controllare il carburatore.
- Pulire regolarmente il Tagliabordi e controllare che tutte le viti e i dadi siano ben serrati.
- Non maneggiare, né riporre il Tagliabordi nelle immediate vicinanze di fiamme libere.
- Riporre il Tagliabordi in locali chiusi e a serbatoio completamente vuoto.



Rispettare le norme di prevenzione degli infortuni previste dalle associazioni commerciali del settore e dalle compagnie di assicurazione. Per motivi di sicurezza personale, non modificare in alcun modo il Tagliabordi.

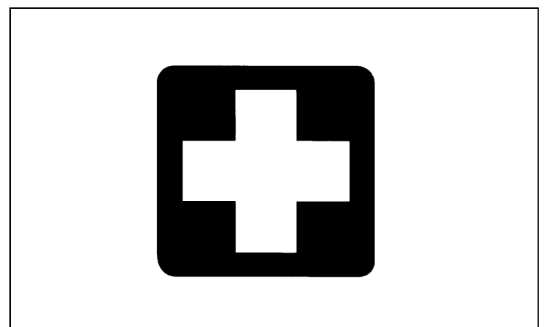
L'utilizzatore si deve limitare ad eseguire le operazioni di manutenzione e riparazione descritte nel manuale d'istruzioni. Tutti gli altri lavori devono essere eseguiti da personale autorizzato de Servizio Assistenza. Utilizzare solo ricambi e accessori originali MAKITA. L'impiego di accessori e utensili non omologati aumenta il rischio di incidenti. La MAKITA declina ogni responsabilità in caso incidenti o danni provocati dall'uso di testa da taglio, attrezzi o accessori non autorizzati.

Pronto soccorso

In caso di incidente assicurarsi che nelle immediate vicinanze sia disponibile una cassetta del pronto soccorso. Sostituire subito i prodotti medicinali utilizzati.

In caso di richiesta di aiuto, fornire le seguenti informazioni:

- luogo dell'incidente
- accaduto
- numero delle persone ferite
- tipo di ferite
- nome



Imballaggio

Il Tagliabordi MAKITA è imballato in due scatole di cartone onde evitare danni dovuti al trasporto. Il cartone è una materia prima fondamentale; per questo motivo è riutilizzabile e riciclabile (riciclaggio della carta).



DICHIARAZIONE DI CONFORMITÀ ALLE NORME CE

Modello: RST210

Con la presente dichiariamo sotto la nostra esclusiva responsabilità che questo prodotto è conforme agli standard ISO11806 e EN55012 emanati in accordo alla direttiva 89/392CEE, successivamente modificata dalla 98/37/CEE e dalla 93/68/CEE, e alla direttiva 89/336/CEE successivamente modificata dalla 92/31/CEE.

Pressione acustica misurata: 107.1 db

Pressione acustica garantita: 108.7 db

Tali valori di pressione acustica sono stati misurati in accordo alla direttiva 2000/14/CEE.

Procedura di valutazione di conformità: Appendice 5.

CE2007



Tomoyasu Kato
Direttore

Produttore responsabile:

Makita Corporation.

3-11-8, Sumiyoshi-cho, Anjo, Aichi, GIAPPONE

Rappresentante esclusivo per l'Europa:

Makita International Europe Ltd.

Michigan Drive, Tongwell, Milton Keynes, Bucks MK15 8JD, INGHILTERRA

DATA TECNICI RST210

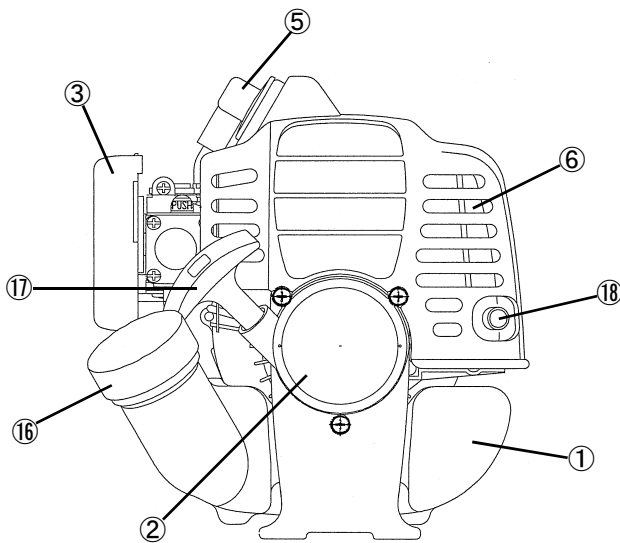
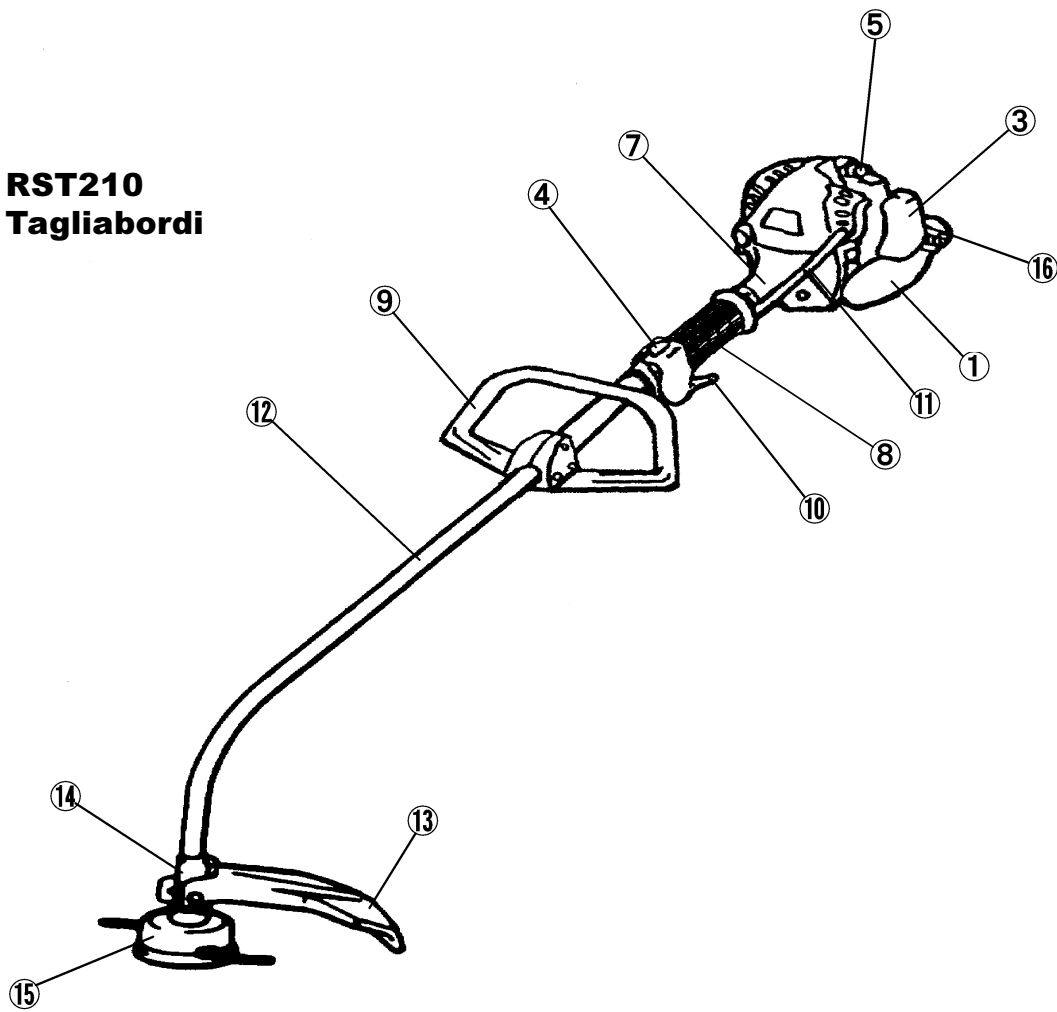
Modello		RST210		
		Impugnatura ad anello		
		Testa da taglio filo di nylon		
Dimensioni: lunghezza x larghezza x altezza (senza lama)	mm	1540 x 210 x 430		
Peso (senza protezione di plastica e senza lama)	kg	3.8		
Volume (serbatoio)	L	0.4		
Cilindrata motore	cm ³	21.0		
Max. prestazione del motore	kw	0.62/7000 min ⁻¹		
Velocità motore con velocità max. alberino	min ⁻¹	7000		
Velocità max. alberino (corrispondente)	min ⁻¹	7000		
Minimo	min ⁻¹	3000		
Velocità innesto frizione	min ⁻¹	4000		
Carburatore (a membrana)	tipo	TK TZ9V		
Sistema d'accensione	tipo	Accensione a stato solido		
Candela d'accensione	tipo	BPMR7A		
Distanza fra gli elettrodi	mm	0.6 ~ 0.7		
Vibrazioni conf. a ISO 7916 ¹⁾	Manico destro (posteriore)	Minimo	m/s ²	3.9
		Corsa max.	m/s ²	10.14
	Manico sinistro (anteriore)	Minimo	m/s ²	6.74
		Corsa max.	m/s ²	9.47
Livello medio di pressione acustica conf. a ISO 7917 ¹⁾		db(A)	93.0	
Livello medio pressione acustica conf. a ISO 10884 ¹⁾		db(A)	104.1	
Rapporto di miscelazione		50 : 1		

¹⁾ I dati tengono ugualmente in considerazione la velocità min. e max. (valvola a farfalla completamente aperta)

Attenzione: Il modello RST210 non si deve usare con un disco sega.

NOMI DELLE PARTI

RST210 Tagliabordi



I	NOMI DELLE PARTI
1	Serbatoio
2	Starter riavvolgimento
3	Filtro dell'aria
4	Interruttore on/off
5	Candela d'accensione
6	Marmitta di scarico
7	Scatola della frizione
8	Manico posteriore
9	Impugnatura
10	Leva di comando
11	Cavo di comando
12	Albero
13	Protezione
14	Sede parte tagliente
15	Testa da taglio con filo in nylon
16	Tappo serbatoio
17	Leva del diffusore
18	Tubo di scarico

MONTAGGIO DELL'IMPUGNATURA

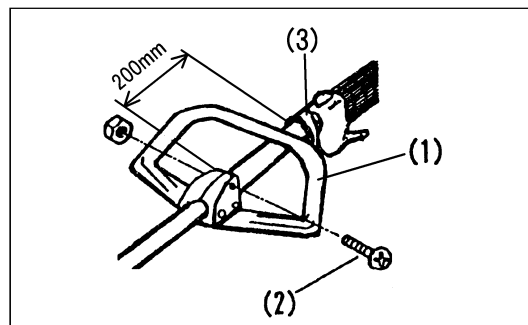
ATTENZIONE: prima di eseguire qualsiasi operazione sul Tagliabordi spegnere il motore e rimuovere il connettore della candela d'accensione. Indossare sempre i guanti di protezione!

ATTENZIONE: avviare il Tagliabordi solo dopo averne completato il montaggio.



Per le macchine con il manubrio ad anello

- Attaccate il manubrio all'albero.
- Dopo aver montato il manubrio ad anello (1), serrare i tre viti (2). Non mancare di serrare i bulloni pienamente, ma non li serrare troppo.
- Regolare il manubrio a una posizione 200 mm o più dal manico posteriore (3) e serrare i tre viti (2).



MONTAGGIO DELLE PROTEZIONI

Onde rispettare le norme di sicurezza vigenti, si devono utilizzare solo le combinazioni utensile / protezione indicate.

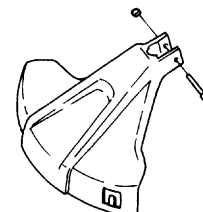
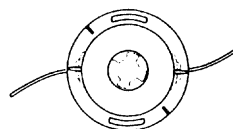
Utilizzare solo testa da taglio con filo in nylon originali MAKITA.

- Se la testa da taglio urta una pietra durante il funzionamento, arrestare il motore e verificare immediatamente la testa di taglio di nylon.



Teste da taglio con
filo in nylon

Protezione testa da taglio



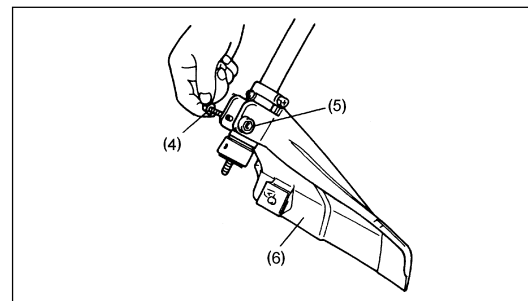
PART NO. 6168020000

PART NO. 6168016001-1

- Montare la protezione (6) all'albero.
- Inserire i dadi M6 (5) nel foro esagonale della protezione (6).
- Fissare la protezione con bullone di fissaggio M6 x 45 (4).

NOTA:

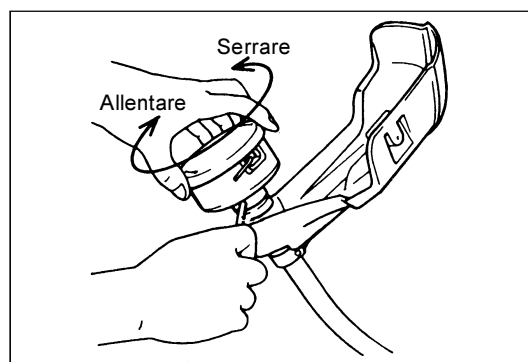
Non serrare il bullone di fissaggio M6 x 45 (4) eccessivamente.



MOTAGGIO DELLA TESTA DI TAGLIO

Capovolgere la macchina per sostituire con facilità la testa da taglio con filo di nylon.

- Inserire la chiave esagonale per il foro della scatola di testa e far girare la rondella di supporto finché essa sia bloccata con chiave esagonale (o l'albero sia bloccato).
- Avvitare la testa da taglio con filo di nylon nell'albero.





Maneggio del carburante

Prestare la massima attenzione nel maneggiare il carburante che può contenere sostanze simili ai solventi. Il rifornimento va eseguito in un locale ben aerato o all'esterno. Non inalare i vapori ed evitare il contatto di carburante o olio con la pelle. L'olio minerale può seccare la pelle e provocare allergie. L'olio può anche provocare irritazioni agli occhi. In caso di contatto sciacquarli immediatamente con acqua fresca. Eventualmente consultare un medico.

L'olio minerale può seccare la pelle e provocare allergie. L'olio può anche provocare irritazioni agli occhi. In caso di contatto sciacquarli immediatamente con acqua fresca. Eventualmente consultare un medico.



Rispettare le norme di sicurezza a pagina 18!

Miscela carburante e olio

Il motore del tagliabordi è del tipo a due tempi e funziona con una miscela di carburante e olio per motori a due tempi. Per questo motore è necessario carburante normale senza piombo con un numero min. di ottani di 91 ROZ. Eventualmente si può utilizzare anche un carburante con un numero di ottani superiore. Il motore non ne risentirà, ma le condizioni di funzionamento potrebbero risultare poco soddisfacenti. Una situazione simile può verificarsi anche in seguito all'uso di carburante etilizzato. Per ottenere il massimo rendimento dal motore e proteggere sia la salute che l'ambiente è consigliabile utilizzare solo carburante senza piombo!




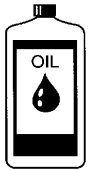
Per la lubrificazione del motore utilizzare un olio per motori a due tempi (grado di qualità: TC-3) da aggiungere al carburante. Per questo motore va utilizzato un olio designato con un rapporto di miscelazione di 50:1 (a protezione dell'ambiente). In questo modo si garantisce anche una lunga durata del motore e affidabilità di funzionamento, oltre ad un livello minimo di emissione di gas di scarico.

E' assolutamente necessario rispettare il rapporto di miscelazione indicato!

Rapporto di miscelazione corretto:

Benzina : Olio d'origine designato per motori a due tempi = 50 : 1 o
Benzina : Olio di altri produttori per motori a due tempi = 25 : 1
raccomandato

NOTA: per prima cosa mescolare tutto l'olio con metà del carburante necessario, quindi aggiungere il resto del carburante. Mescolare con cura prima di riempire il serbatoio dell'utensile. Per motivi di sicurezza non aggiungere un quantitativo di olio superiore a quello indicato. In caso contrario si produrrebbe una quantità eccessiva di residui di combustione che andrebbero ad inquinare l'ambiente e a intasare il canale di scarico nel cilindro e la marmitta. Inoltre il consumo di carburante aumenterebbe, mentre le prestazioni del motore diminuirebbero.

Benzina	50:1	25:1
	+	
1000cm ³ (1litro)	20 cm ³	40cm ³
5000cm ³ (5litro)	100 cm ³	200cm ³
10000cm ³ (10litro)	200 cm ³	400cm ³

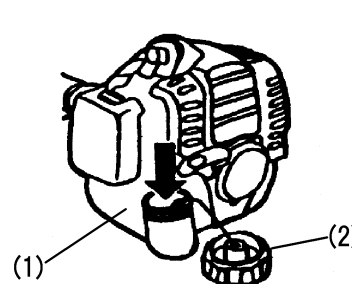
Rifornimento

Spegnere il motore!

- Pulire con cura tutta la zona intorno al tappo (2) onde evitare che la sporcizia entri nel serbatoio (1).
- Togliere il tappo (2) e riempire il serbatoio.
- Riavvitare il tappo (2).
- Pulire il tappo (2) e il serbatoio a rifornimento eseguito!

Conservazione del carburante

Non conservare il carburante per periodi di tempo eccessivamente lunghi. Acquistare solo la quantità necessaria per un periodo di 4 settimane. Utilizzare solo contenitori per carburante omologati.



AVVIAMENTO E ARRESTO DELLA MACCHINA

Rispettare le norme di prevenzione degli infortuni!



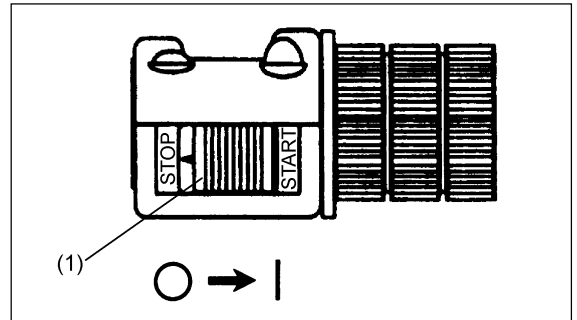
Avviamento


Mantenere una distanza di almeno 3 m dal luogo in cui è avvenuto il rifornimento. Collocare il tagliabordi in un punto pulito facendo attenzione che l'utensile non tocchi il terreno né altri oggetti.

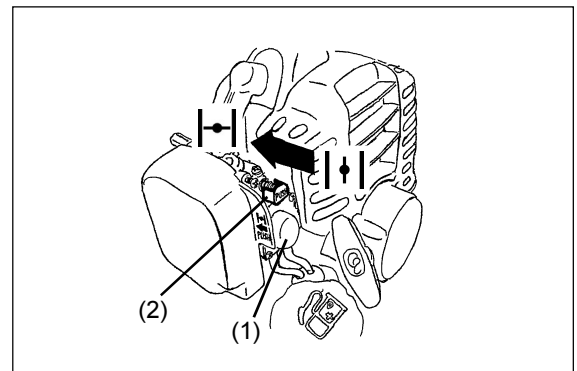
Avviamento a freddo


Per macchine con impugnatura anello

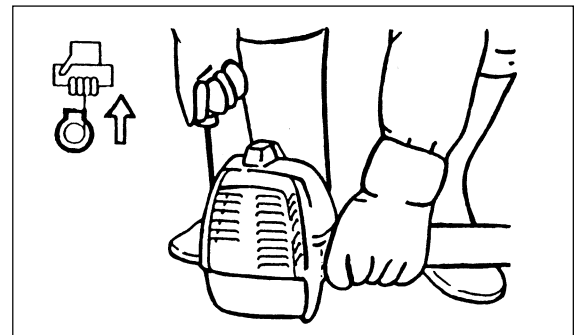
- Spingere l'interruttore I-O (1) nella direzione indicata dalla freccia.




- Per prima cosa appoggiare la macchina per terra.
- Premere leggermente e ripetutamente (7-10 volte) la pompa d'avviamento (1) finché il carburante non arriva nella pompa.
- Portare il pulsante diffusore (2) alla posizione "PUSH" ().



- Con una mano impugnare saldamente la scatola della frizione come indicato nella figura.
- Tirare lentamente la maniglia di avviamento finché non si avverte una certa resistenza quindi tirare con decisione.
- Non estrarre completamente la funicella e non rilasciare la maniglia d'avviamento di colpo, ma assicurarsi che rientri lentamente.
- Ripetere le operazioni di avviamento finché non si sentono i primi rumori di accensione.
- Quando il motore si avvia, vogliate aperto la leva de comando un piccolo. Il pulsante diffusore d'arresto che è automatico, rinvia alla posizione originale "  ".



- Far funzionare il motore a velocità moderata per circa un minuto prima di aprire completamente la farfalla.

Attenzione: – Se si tira ripetutamente troppe volte la manopola d'avvio col pulsante diffusore alla posizione "  ", si causa un eccesso di afflusso di combustibile che rende difficile l'avvio del motore.

- Qualora ci sia stato un eccesso di afflusso di combustibile, staccare la candela di accensione, tirare lentamente più volte la manopola d'avvio e fare uscire il combustibile in eccesso. Inoltre, asciugare gli elettrodi della candela di combustione.

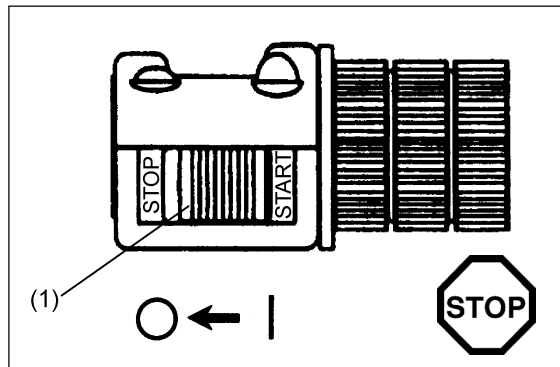
Attenzione durante il funzionamento: se si apre completamente la leva di comando durante la marcia a vuoto, la rotazione del motore aumenta a 10.000 min⁻¹ e oltre. Non far funzionare il motore a velocità maggiori di quelle indicate e a una velocità* di circa 6.000-8.000 min⁻¹.

Avviamento a caldo

- Procedere come sopra descritto, ma senza muovere il pulsante diffusore.

Arresto

- Rilasciare la leva di comando (2) e, quando i giri del motore diminuiscono, portare l'interruttore on/off (1) su "O"; il motore si ferma.
- Fare attenzione che la testa da taglio non può fermarsi immediatamente, aiutarla a fermarsi.

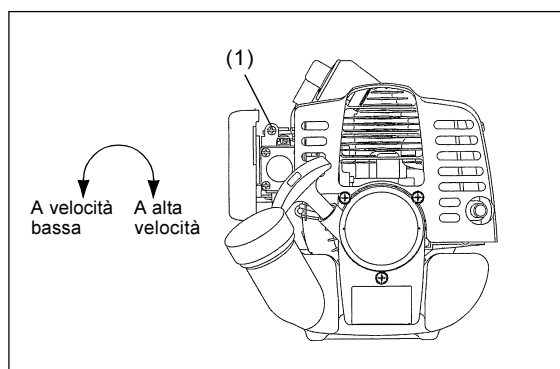


REGOLAZIONE DEL MINIMO

La testa da taglio con filo di nylon non devono funzionare quando la leva di comando è completamente sbloccata. Se necessario, regolare il minimo mediante l'apposita vite di regolazione.

Controllo del minimo

- Il minimo è fissato a 3.000 min⁻¹.
Se necessario, correggere il numero di giri usando l'apposita vite di regolazione (La testa da taglio non devono ruotare quando il motore è al minimo).
Serrando la vite (1) si aumenta la velocità del motore, allentandola la velocità diminuisce.



TESTA DA TAGLIO CON FILO DI NYLON

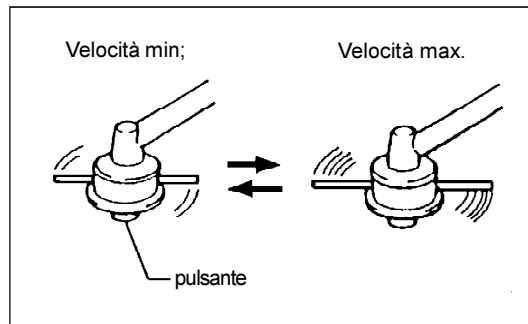
Questo utensile da taglio è costituito da un doppio filo e funziona sia automaticamente che mediante un meccanismo di alimentazione. Questo dispositivo rilascia automaticamente un filo di nylon della lunghezza adatta in base alle variazioni della forza centrifuga dovute all'aumento e alla diminuzione del numero di giri al minuto. Per tagliare erba morbida in modo efficiente, battere la testa da taglio sul terreno per far fuoriuscire altro filo come descritto nella sezione sul funzionamento.

Funzionamento

- Aumentare la velocità della testa da taglio fino a raggiungere circa 6.000 min⁻¹. Una velocità inferiore (meno di 4.800 min⁻¹) non è adeguata perché non consente una corretta alimentazione del filo di nylon.
- La zona di taglio che consente di ottenere i risultati migliori è indicata dalla parte tratteggiata.

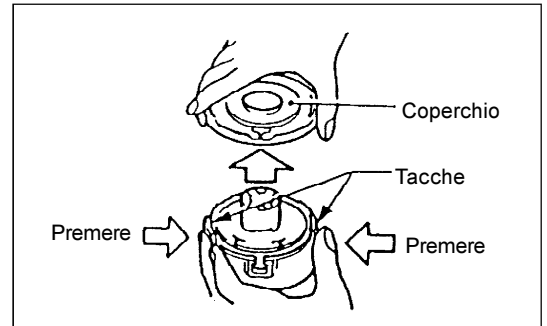
Se il filo di nylon non viene alimentato automaticamente, procedere nel seguente modo:

1. Sganciare la leva di comando per far funzionare il motore al minimo, quindi premere completamente la leva. Ripetere finché l'alimentazione del filo non è regolare.
2. Se il filo di nylon rimane troppo corto, battere il pulsante della testa da taglio sul terreno in modo che fuoriesca altro filo.
3. Se il filo non esce, riavvolgere / sostituire il filo di nylon seguendo le istruzioni contenute nel paragrafo "Sostituzione del filo di nylon".

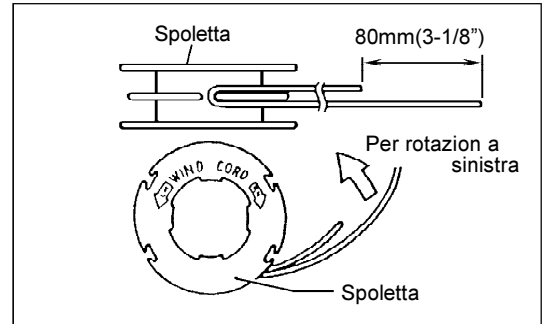


Sostituzione del filo di nylon

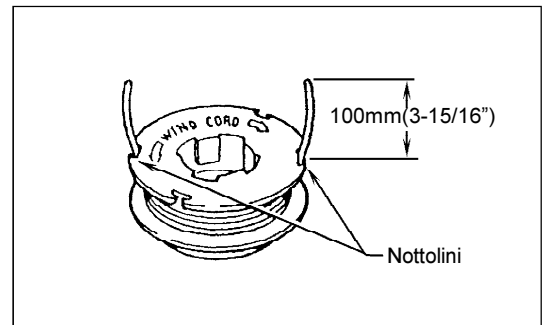
- Spegner il motore.
- Premere i due nottolini laterali, sollevare il coperchio e rimuovere la spoletta.



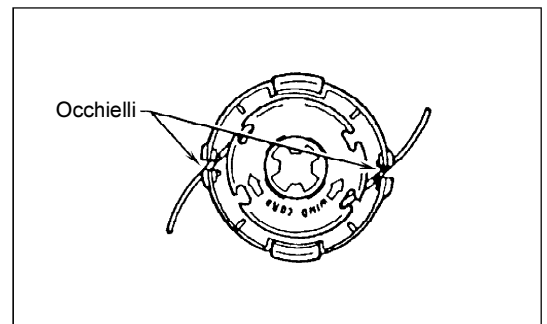
- Agganciare il centro del nuovo filodi nylon alla spoletta lasciando un'estremità piú lunga dell'altra di circa 80 mm. Quindi avvolgere le due estremità intorno alla spoletta nel senso di rotazione della testa (LH = sinistra, RH = destra).



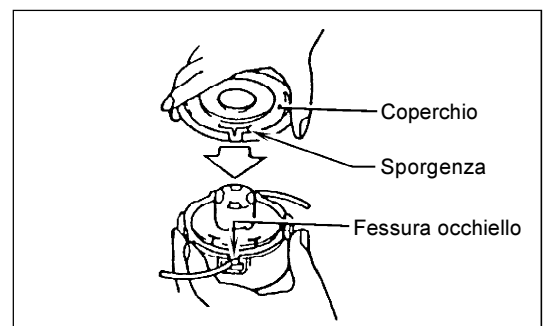
- Avvolgere tutto il filo tranne gli ultimi 100 mm lasciando le due estremità provvisoriamente agganciate nelle tacche poste ai lati della spoletta.



- Montare la spoletta nel suo alloggiamento in modo che le relative scanalature e sporgenze combacino con quelle dell'alloggiamento. Il lato della spoletta con le lettere va tenuto rivolto verso l'alto in modo da rimanere visibile. Sganciare le due estremità del filo, inserirle negli occhielli e farle uscire dall'alloggiamento della spoletta.



- Far combaciare la sporgenza che si trova sotto al coperchio con le fessure degli occhielli. Quindi premere bene il coperchio per chiuderlo.



ISTRUZIONI DI MANUTENZIONE



ATTENZIONE: prima di eseguire qualsiasi operazione, spegnere il motore ed estrarre la calotta della candela d'accensione ("Controllo della candela d'accensione").
Indossare sempre guanti di protezione!

Onde garantire una lunga durata dell'utensile ed evitare danneggiamenti, eseguire regolarmente le seguenti operazioni.

Controllo e manutenzione quotidiani

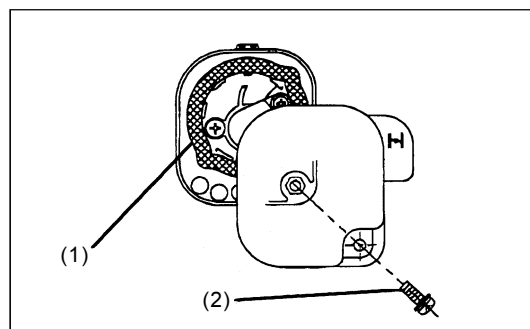
- Prima di iniziare a lavorare controllare che le viti siano ben serrate e che non manchi nessuna parte. Prestare particolare attenzione alle condizioni della testa la taglio con filo di nylon.
- Controllare che il passaggio dell'aria di raffreddamento e le alette del cilindro non siano intasati. Eventualmente pulirli.
- Ogni giorno, a lavoro ultimato, eseguire le seguenti operazioni:
 - pulire il Tagliabordi esternamente e controllare che non vi siano danni;
 - pulire il filtro dell'aria; in presenza di molta polvere, pulire il filtro più volte al giorno;
 - controllare che la testa da taglio con filo di nylon non siano danneggiati e assicurarsi che siano perfettamente montati;
 - controllare che vi sia un'adeguata differenza tra il minimo e la velocità d'innesto per garantire che l'testa da taglio sia fermo mentre il motore è al minimo (se necessario ridurre il minimo). Se l'testa da taglio continua a funzionare quando il motore è al minimo, consultare il Servizio Assistenza.
- Controllare il funzionamento dell'interruttore I-O, della leva di sbloccaggio, della leva di comando.

Pulizia del filtro dell'aria

Bloccando dell'elemento (1) può a volte renderlo difficile o impossibile avviare in su il motore o aumentare la velocità di motore.

Dopo la conclusione del funzionamento, sia sicuro pulire il filtro dell'aria come accennato sotto.

- Rimuova la vite della coperchio del filtro dell'aria.
- Disponga la barretta sotto la coperchio del filtro dell'aria, spinga la parte più inferiore della coperchio, e stacchi la coperchio del filtro dell'aria.
- Elimini l'elemento (1), puliscalo con acqua tiepida mescolata con il detersivo neutro, ed asciughilo completamente.
- Dopo la pulitura, fissi l'elemento.
- Inserisca l'artiglio alla parte superiore di caso nel foro alla parte superiore della coperchio del filtro dell'aria. Allora, fissi la coperchio del filtro dell'aria spingendola, e stringa la vite (2).

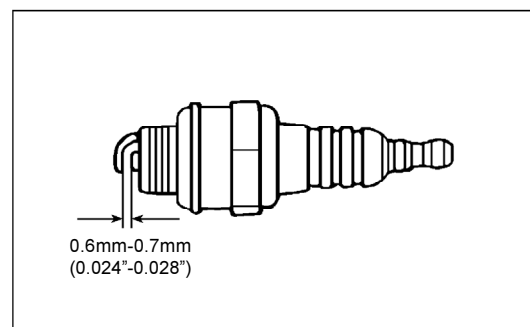


NOTA: Se il filtro c molto sporco o contiene troppa polvere, pulirlo ogni giorno. Se il filtro c intasato c difficile, se non impossibile, avviare il motore o aumentare la velocità di rotazione del motore.

Controllo della candela d'accensione

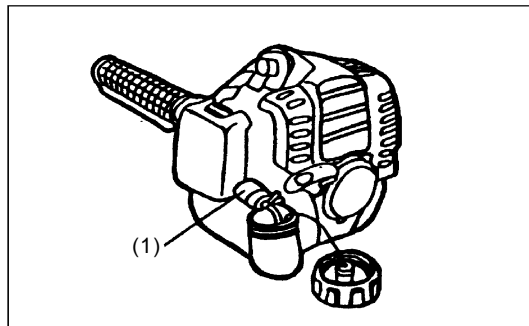
- Per montare o smontare la candela utilizzare solo la chiave universale in dotazione.
- Tra gli elettrodi ci deve essere uno spazio di 0,6-0,7 mm. Se lo spazio è troppo largo o troppo stretto, regolarlo. Se la candela è sporca, pulirla o sostituirla.

ATTENZIONE: non toccare il connettore della candela mentre il motore è in funzione (pericolo di scossa elettrica ad alta tensione).



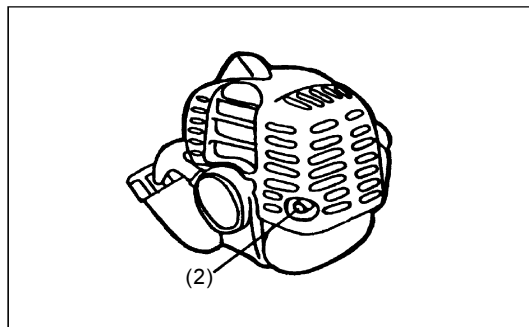
Tubo d'aspirazione del serbatoio

- Il filtro di feltro (1) del tubo d'aspirazione serve a filtrare il carburante.
- Il filtro va controllato periodicamente. A questo scopo aprire il tappo del serbatoio e, aiutandosi con un gancio, estrarre il tubo d'aspirazione. Se necessario sostituire il filtro.
- Una cattiva alimentazione del carburante può provocare un aumento eccessivo della velocità consentita. Per questo motivo è molto importante che il filtro venga sostituito almeno ogni tre mesi onde garantire un'adeguata alimentazione del carburante.



Pulizia dello scarico della marmitta

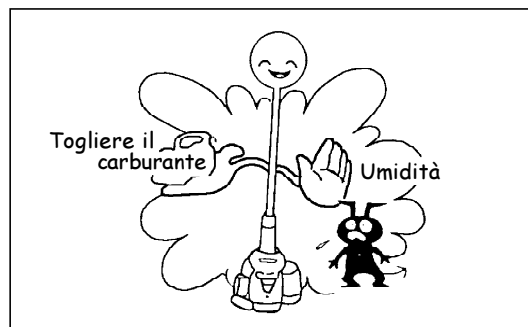
- Controllare lo scarico della marmitta (2) regolarmente.
- In caso di intasamento, rimuovere ogni traccia di deposito con un utensile adatto.



Qualsiasi operazione di manutenzione o regolazione che non sia descritta nel presente manuale deve essere eseguita esclusivamente dal personal del Servizio Assistenza.

IMMAGAZZINAGGIO

- Se la macchina non viene utilizzata per lunghi periodi di tempo, togliere tutto il carburante dal serbatoio e dal carburatore. Disporre del carburante secondo le leggi locali.
- Rimuovere la candela d'accensione e mettere alcune gocce di olio nella sede della candela. Quindi tirare leggermente la funicella di avviamento e assicurarsi che l'olio copra il motore all'interno, quindi rimontare la candela.
- Pulire la lama o filo di nylon e la parte esterna del motore con un panno imbevuto di olio. Conservare la macchina in un luogo asciutto.



Piano di manutenzione

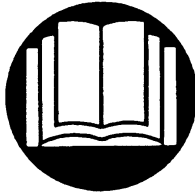
Generale	Montaggio motore, viti e dadi	Controllare che non vi siano danni, verificare il serraggio, controllare le condizioni generali e la sicurezza
Dopo ogni rifornimento	Leva di comando Interruttore on/off	Controllo del funzionamento Controllo del funzionamento
Ogni giorno	Filtro dell'aria Tubo aria di raffreddamento Utensile da taglio Minimo	Da pulire Da pulire Controllare che non vi siano danni e verificare affilatura Ispezione (l'utensile da taglio non deve muoversi)
Ogni settimana	Candela Marmitta	Ispezione, sostituire se neces. Controllare e, se necessario, pulire l'apertura
Ogni tre mesi	Tubo d'aspirazione Serbatoio	Da sostituire Da pulire
Arresto	Serbatoio Carburatore	Vuotare serbatoio Farlo funzionare finchè non finisce il carburante

Localizzazione dei guasti

Guasto	Sistema	Osservazione	Causa
Il motore non parte o parte con difficoltà	Sistema di iniezione	Scintilla accensione presente	Guasto nell'alimentazione del carburante o nel sistema di compressione, difetto meccanico
		Assenza scintilla d'accensione	Attivato arresto, guasto dello impianto elettrico o corto circuito, candela o connettore difettosi, modulo d'iniezione difettoso
	Alimentazione carburante	Serbatoio pieno	Posizione leva diffusore errata, carburatore difettoso, tubo di aspirazione sporco, linea di alimentazione carburante piegata o intasata, carburante contaminato
	Compressione	Compressione assente quando ritirato	Guarnizione fondo cilindro difettosa, guarnizioni albero a gomiti danneggiate, anello cilindro o pistone difettoso difetto nella tenuta della candela
Problemi con lo avviamento a caldo	Guasto meccanico	Avviatore non funziona	Molla avviatore rotta, parti rotte all'interno del motore
		Serbatoio pieno candela presente	Il carburatore va pulito
Il motore parte ma si arresta subito	Alimentazione carburante	Serbatoio pieno	Errata regolazione del minimo, tubo d'aspirazione o carburatore sporchi Sfiatatoio del serbatoio difettoso, linea di alimentazione carburante interrotta, cavo o interruttore di arresto guasti
Rendimento insoddisfacente	Può riguardare diversi sistemi	Minimo del motore scadente	Filtro aria sporco, carburatore sporco, marmitta intasata, tubo di scarico del cilindro intasato

Muchas gracias por comprar la Cortabordes MAKITA. Nos complace recomendarle el uso de la Cortabordes MAKITA que es el resultado de un extenso programa de investigación desarrollado tras años de estudio y experiencia.

Por favor lean el folleto que hace referencia con detalle a los diversos puntos que demuestran su excelente funcionamiento. Esto le ayudará a obtener el mejor resultado posible de su Cortabordes MAKITA.



Lista de contenidos	Página
Simbolos	30
Instrucciones de seguridad	31
Datos Técnicos	34
Denominación de partes	35
Montaje del manillar	36
Montaje del protector	36
Montaje de la cabezal de corte de nylon	36
Combustibles/Reabastecimiento	37
Puntos relacionados con el manejo y la parada	38
Cabezal de corte de nylon	39
Instrucciones de Servicio	41
Almacenamiento	43

SIMBOLOS

Ud. encontrará los siguientes símbolos en la lectura del manual de instrucciones.

	Lea el manual de instrucciones.		No utilizar cuchillas metálicas
	Tome precauciones y atenciones especiales.		Máxima velocidad de trabajo permitida.
	Prohibido.		Mezcla de combustible y aceite.
	Mantener distancia de seguridad.		Encendido manual del motor.
	Peligro: Brozas bjetto volante.		Paro de emergencia.
	No fumar.		Primeros auxilios.
	No acercar llamas.		Reciclable.
	Deben utilizarse guantes protectores.		ON/encendido
	Mantener el área de operación libre de personas y animales.		Off/Apagado
	Utilizar protector para ojos y oídos		

INSTRUCCIONES DE SEGURIDAD

Instrucciones generales

- Para asegurar un funcionamiento correcto, el usuario debe leer este manual de instrucciones para hacerse familiar con el funcionamiento de la Cortabordes. Los usuarios que no se informen suficientemente causarán riesgo para ellos mismos y otras personas debido a un funcionamiento inadecuado.
- Se recomienda prestar la Cortabordes únicamente a gente que demuestren experiencia en el uso de Cortabordes. Siempre entregar el manual de instrucciones.
- Los que utilizan la máquina por vez primera deben preguntar al vendedor las instrucciones básicas para familiarizarse con el manejo de un cortador motorizado.
- No se debe permitir el uso de la Cortabordes a niños y personas menores de 18 años. Las personas mayores de 16 años pueden, sin embargo, utilizar la máquina para aprendizaje únicamente, bajo supervisión de un monitor cualificado.
- Utilizar la máquina con el máximo cuidado y atención.
- Manejar la Cortabordes sólo si se encuentra en buena condición física. Realizar el trabajo con calma y cuidadosamente. El usuario debe aceptar su responsabilidad con otras personas.
- Nunca utilizar la Cortabordes después del consumo de alcohol o drogas o cuando se siente cansado o enfermo.

Uso recomendado de la máquina

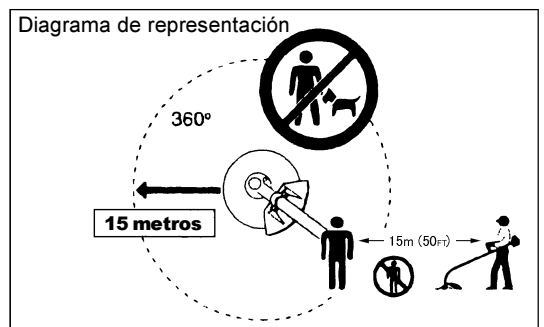
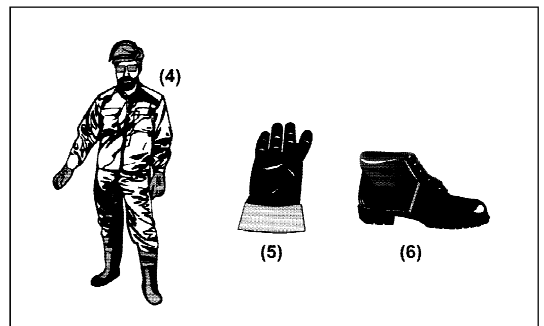
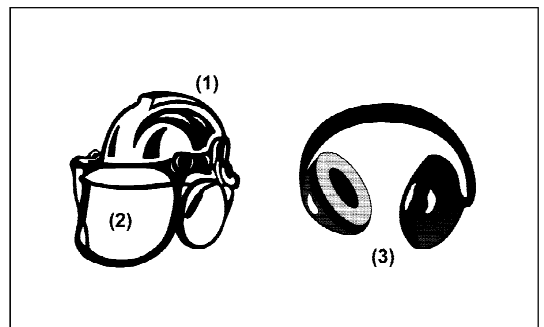
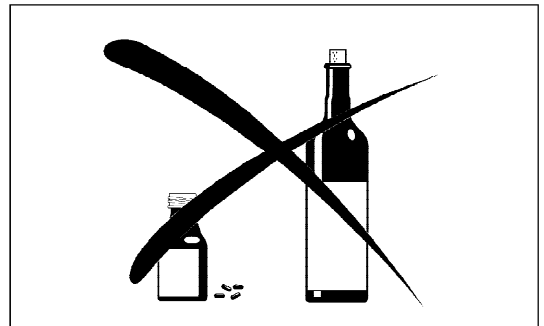
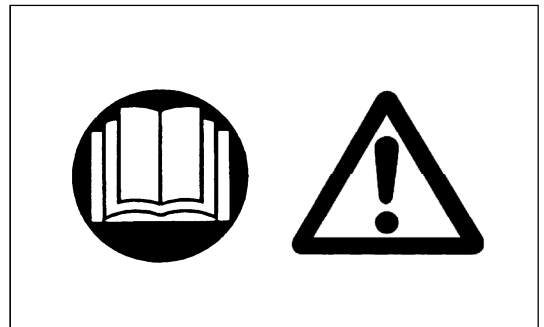
- La Cortabordes es recomendada únicamente para cortar hierba, maleza, o arbustos. No se debe usar para cualquier otro propósito tales como canteado o cortado de seto ya que éste podría causar daños.

Equipo Personal de Protección

- La ropa utilizada debe ser funcional y adecuada. Por ejemplo, debe quedar ajustada, sin causar estorbo. No llevar joyas o ropa que pueda quedar atrapada con matorrales o arbustos.
- Para evitar heridas en cabeza, ojos, manos, o pies, así como para proteger su oído, debe usarse el siguiente equipo y ropa de protección durante el uso de la Cortabordes.
- Siempre llevar un casco cuando se trabaja en el bosque. El casco protector (1) debe comprobarse a intervalos regulares y debe sustituirse como mínimo cada 5 años. Sólo utilizar cascos protectores aprobados.
- El visor (2) del casco (o gafas como alternativa) protege la cara de astillas y brozas. Durante el uso de la Cortabordes siempre debe llevar gafas o un visor para prevenir heridas en los ojos.
- Llevar un equipo protector del ruido adecuado para evitar daños en el oído (protectores de oídos (3), tapones de oídos etc.).
- Los monos de trabajos (4) protegen contra piedras y astillas. Recomendamos expresamente que el usuario lleve mono de trabajo.
- Guantes especiales (5) fabricados en cuero grueso son parte del equipo obligatorio y deben llevarse siempre durante el uso de la Cortabordes.
- Cuando se utilice la Cortabordes, siempre debe llevarse calzado robusto (6) con suela antideslizante. Esto protege contra heridas y asegura un caminar seguro.

Puesta en Marcha de la Cortabordes

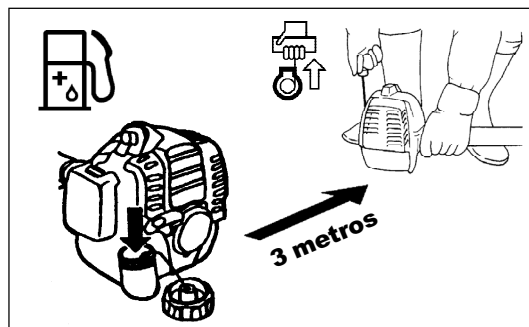
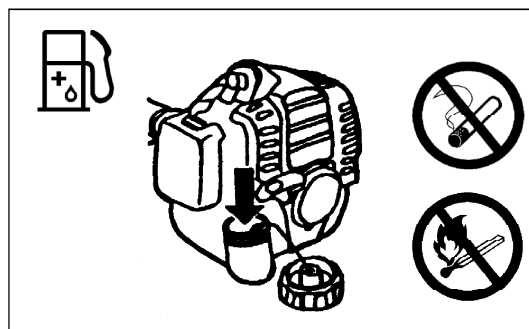
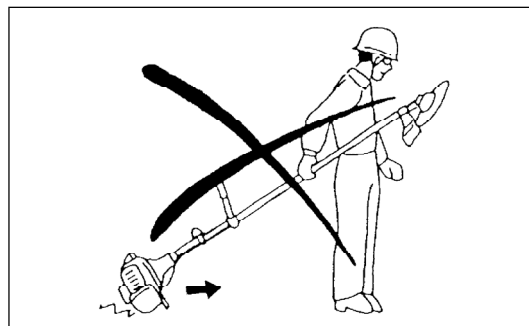
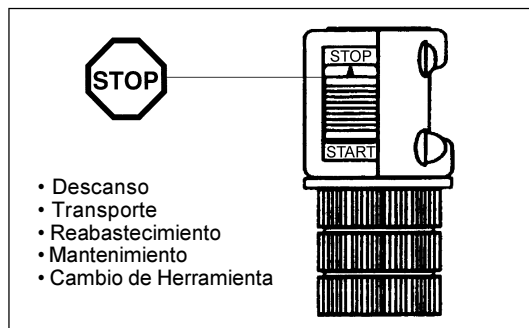
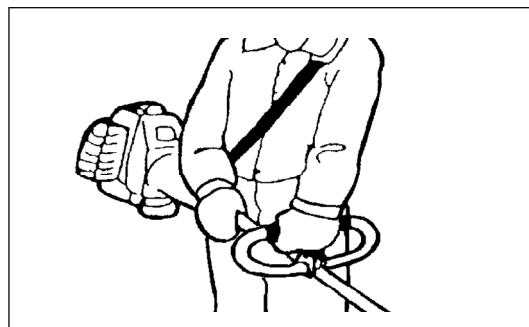
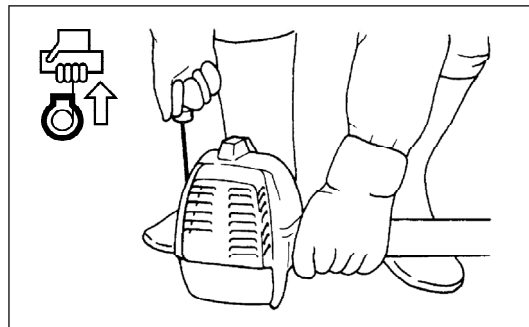
- Asegurarse que no hay niños u otras personas en un área de trabajo de 15 metros, también prestar atención a los animales cercanos al lugar de trabajo.
- Antes del uso, comprobar que la Cortabordes está preparada para un funcionamiento seguro. Comprobar la seguridad de la cabezal de Nylon y de la palanca de puesta en marcha, para un trabajo fácil.
- La cabezal de Nylon no debe girar cuando el motor marche en vacío. Comprobar que los manillares están limpios y secos y la función del interruptor esté en encendido/apagado.



- Poner en marcha la Cortabordes sólo de acuerdo con las instrucciones. No utilizar otro procedimiento para poner en marcha el motor.
- Utilizar la Cortabordes sólo para las aplicaciones que se especifican.
- Poner en marcha el motor únicamente cuando se ha realizado el ensamblaje completo. Sólo se permite el funcionamiento de la máquina después de colocar todos los accesorios adecuados.
- Antes de la puesta en marcha asegurarse que la cabezal de Nylon no está en contacto con objetos duros, tales como ramas, piedras.
- El motor debe apagarse inmediatamente si hay problemas de motor.
- Si la cabezal de Nylon tropieza con una piedra u objeto duro, debe la máquina inmediatamente e inspeccionar la cabezal de Nylon.
- Inspeccionar la cabezal de Nylon a intervalos cortos de tiempo (detección de grietas finas mediante el test de ruido de enroscado).
- Utilizar la máquina sólo con la correa para hombro que se incluye, que debe ajustarse adecuadamente antes de que la máquina esté en marcha. Es esencial que se ajuste la correa de acuerdo con la talla del usuario para evitar la fatiga que se produce durante el uso. Nunca sujetar la máquina con una mano durante el uso.
- Durante el uso siempre sujetar la Cortabordes con ambas manos. Siempre procurar una posición segura.
- Utilizar la máquina de forma que se evite la inhalación de los gases de escape. Nunca poner en marcha el motor en habitaciones cerradas (riesgo de envenenamiento por gas). El monóxido de carbono es un gas inodoro.
- Apagar el motor cuando se descansa y cuando se deja la máquina sin atender, y colocarla en lugar seguro para prevenir el peligro para otras personas o el daño para la máquina.
- Nunca deje la máquina caliente sobre hierba seca o materiales combustibles.
- Las cabezal de Nylon deben estar siempre equipadas con un protector adecuado. Nunca manejar la máquina sin este protector.
- Todos los accesorios y equipos de seguridad proporcionados con la máquina deben utilizarse durante el uso.
- Nunca trabajar con el silenciador de escape averiado.
- Apagar el motor durante el transporte.
- Durante transportes de larga distancia debe utilizarse la protección del equipo que se incluye con la máquina.
- Procurar una posición segura de la Cortabordes durante el transporte por coche para evitar pérdidas de combustible.
- Cuando se almacena la Cortabordes, asegurarse que el tanque de combustible está completamente vacío.
- Cuando se almacene por un largo período de tiempo la Cortabordes, nunca deje caer el Motor a la tierra, si no, ésto podría dañar severamente el tanque de combustible.
- Salvo en el caso de emergencia, nunca deje caer o tirar la Cortabordes a la tierra, si no, ésto podría dañar severamente la Cortabordes.
- Aparte completamente la unidad de la máquina del suelo sin falta cuando se traslada. Si se traslada restregando el tanque de combustible al suelo, hay un gran peligro de que se rompa el tanque provocando fuga del combustible, y eso pueda causar incendio.

Reabastecimiento

- Apagar el motor durante el reabastecimiento, mantenerse lejos de llamas y no fumar.
- Evitar el contacto de la piel con combustibles minerales. No inhalar vapores del combustibles. Siempre llevar guantes protectores durante el reabastecimiento. Cambiar y limpiar la ropa protectora a intervalos regulares.
- Tomar la precaución de no derramar el combustible o aceite para evitar la contaminación del suelo (protección del medio ambiente). Lavar la Cortabordes inmediatamente si se ha derramado combustible.
- Evitar el contacto del combustible con su ropa. Cambiar la ropa al instante si se ha derramado combustible sobre ella (peligro de muerte).
- Inspeccionar el tapón del combustible a intervalos regulares, asegurando que puede cerrar el depósito completamente.
- Apretar con cuidado el tornillo de cierre del tanque de combustible. Cambiar de lugar para encender el motor (por lo menos a 3 metros del lugar de reabastecimiento).
- Nunca llenar el depósito en habitaciones cerradas. Los vapores de combustible se acumulan a nivel del suelo (riesgo de explosiones).
- Sólo transportar y almacenar combustible en contenedores aprobados. Asegurarse que el combustible almacenado permanece fuera del alcance de niños.



Método de trabajo

- Sólo utilizar la Cortabordes en buenas condiciones de luz y visibilidad. Durante el invierno, tomar precauciones en áreas resbaladizas o mojadas, hielo o nieve (riesgo de caída). Procurar siempre una posición segura.
- Nunca cortar por encima del hombro.
- Nunca subirse a una escalera y usar la Cortabordes.
- Nunca subirse a un árbol para trabajar con la Cortabordes.
- Nunca trabajar en terrenos inestables.
- Eliminar la arena, piedras, clavos etc. en el área de trabajo. Las partículas extrañas pueden dañar la cabezal de Nylon y pueden causar peligrosos contragolpes.
- Antes de empezar a trabajar, la cabezal de Nylon debe haber alcanzado la velocidad de trabajo.



Herramientas de Corte

Emplear únicamente la cabezal de Nylon correcta para el trabajo en cuestión.

Diseñado exclusivamente para cortar a lo largo de muros, vallas, borde del césped, árboles, postes etc. (trabajo suplementario cortacéspedes). Realizar el trabajo mediante el balanceo del aparato en semicírculos de izquierda a derecha.



Instrucciones de mantenimiento

- Las condiciones del aparato de la correa deben ser comprobadas antes de empezar el trabajo.
- Apagar el motor y quitar el conector de la bujía cuando se sustituya o cuando se limpie el aparato o la cuchilla.
- Trabajar con la Cortabordes con el mínimo ruido y contaminación posible. En particular, comprobar la colocación correcta del carburador.
- Limpiar la Cortabordes a intervalos regulares y comprobar que todas las tuercas y tornillos están bien sujetos.
- Nunca hacer mantenimiento ni almacenar la Cortabordes en la proximidad de llamas.
- Siempre almacenar la Cortabordes en habitaciones cerradas y con el tanque de combustible vacío.



Observar las instrucciones de prevención de accidentes que dictan los sindicatos y asociaciones oficiales y las compañías de seguros. No realizar modificaciones en la Cortabordes ya que pondrán en peligro su seguridad. La realización del trabajo de mantenimiento o reparación por el usuario estará limitada a las actividades que se describen en el manual de instrucciones. Cualquier otro trabajo debe ser realizado por el Agente de Servicio Autorizado.

Utilizar únicamente partes de recambio y accesorios genuinos suministrados por MAKITA.

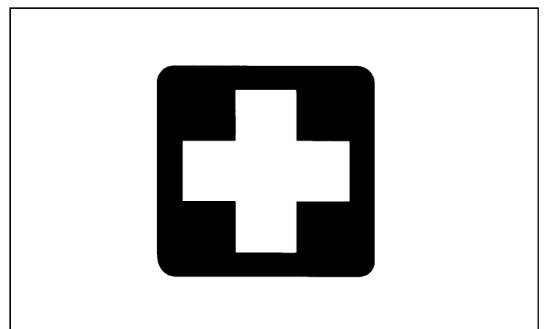
El uso de accesorios y herramientas que no están aprobados significa un incremento en el riesgo de accidentes. MAKITA no aceptará ninguna responsabilidad por accidentes o daños causados por el uso de cabezal de Nylon sin protección, o accesorios no aprobados.

Primeros Auxilios

Para el caso de accidente asegúrese que un botiquin de primeros auxilios está disponible cerca del lugar de trabajo. Reponer inmediatamente cualquier producto que se utilice del botiquin.

Cuando se pida ayuda, se debe proporcionar la siguiente información.

- Lugar del accidente.
- Qué ha ocurrido.
- Número de personas heridas.
- Clase de heridas.
- Su nombre.



Embalaje

La Cortabordes MAKITA se entrega en dos cajas de cartón para prevenir daños durante el transporte.

El cartón es una materia prima básica y es por lo tanto reutilizable o válido para el reciclaje (reciclaje de papel usado).



Declaración de conformidad de la Comunidad Europea (EC)

Tipos: RST210

Declaramos bajo nuestra única responsabilidad que este producto está de acuerdo con las normas siguientes de los documentos de normalización ISO11806 y EN55012 según indican las Directivas del Consejo 89/392/EEC, 98/37/EEC enmendada, 93/68/EEC, 89/336/EEC y 92/31/EEC enmendada.

Fuerza del sonido medida: 107.1 dB

Fuerza del sonido garantizada: 108.7 dB

Estos niveles de fuerza del sonido fueron medidos de acuerdo con la Directiva del Consejo 2000/14/EC.

Los procedimientos de la evaluación de la conformidad: Anexo V

CE2007



Tomoyasu Kato
Director

Fabricante responsable:

Makita Corporation.

3-11-8, Sumiyoshi-cho, Anjo, Aichi, Japón

Representante autorizado en Europa:

Makita International Europe Ltd.

Michigan Drive, Tongwell, Milton Keynes, Bucks MK15 8JD, Inglaterra

DATOS TÉCNICOS RST210

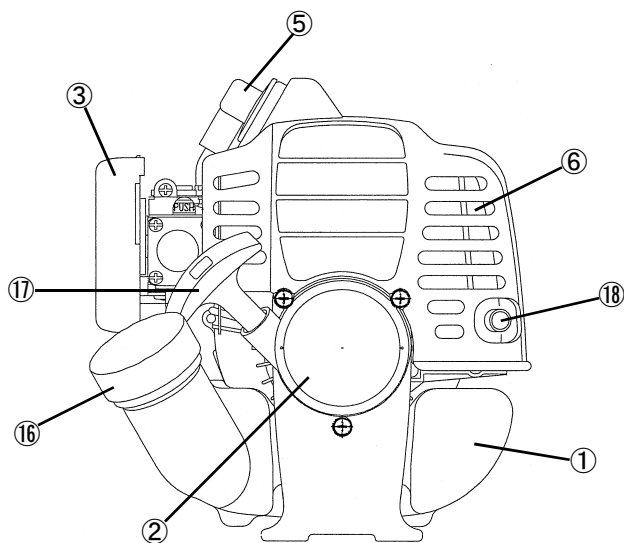
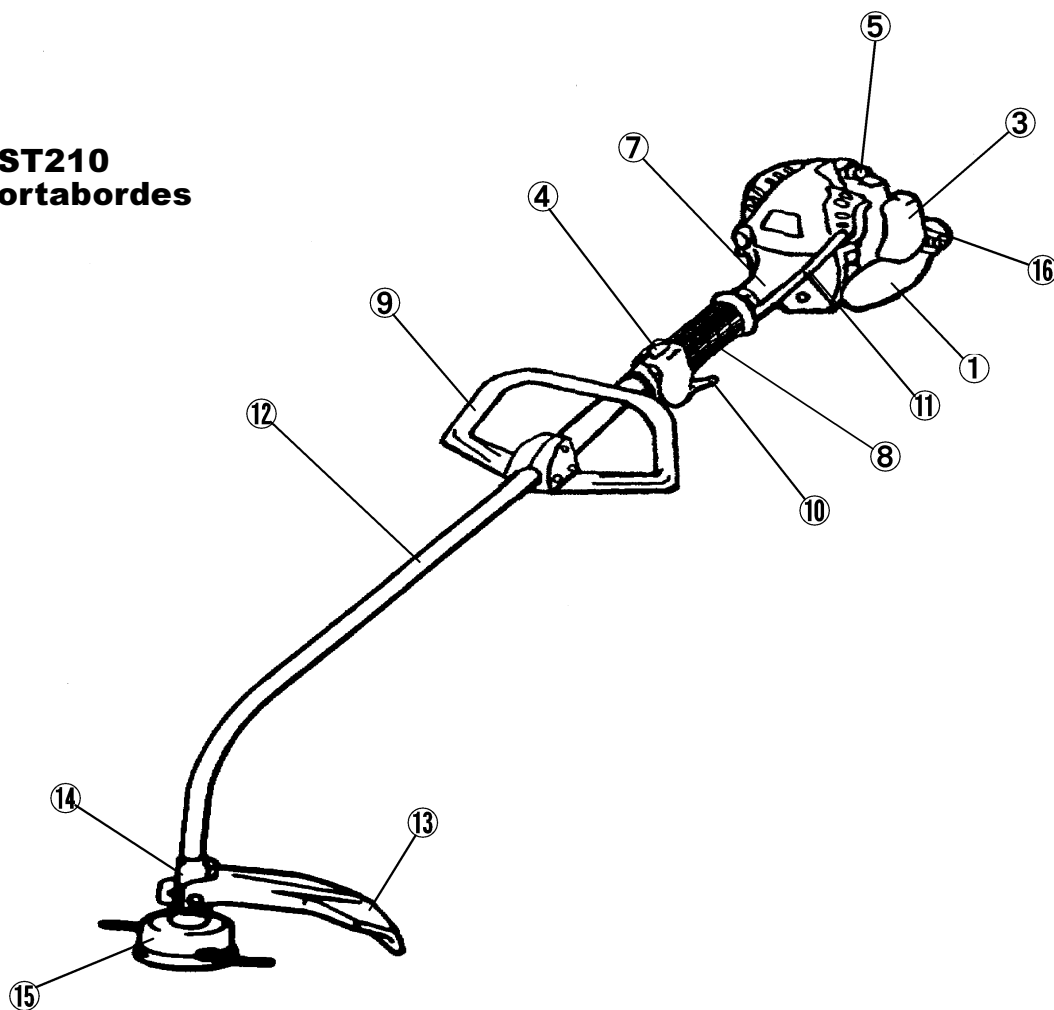
Modelo		RST210		
		Manillar en bucle		
		Cabezal de Nylon		
Dimensiones: largo x ancho x alto (sin hoja corte)		mm	1540 x 210 x 430	
Masa (sin protector de plástico ni hoja de corte)		kg	3.8	
Volumen (tanque de combustible)		L	0.4	
Desplazamiento del motor		cm ³	21.0	
Máximo rendimiento del motor		kw	0.62/7000 min ⁻¹	
Velocidad del motor al máximo de revoluciones recomendada		min ⁻¹	7000	
Máximo de revoluciones (correspondiente)		min ⁻¹	7000	
Velocidad en vacío		min ⁻¹	3000	
Velocidad de acoplamiento del embrague		min ⁻¹	4000	
Carburador (de diafragma)		tipo	TK TZ9V	
Sistema de encendido		tipo	Encendido en estado sólido	
Bujías		tipo	BPMR7A	
Separación del electrodo		mm	0.6 ~ 0.7	
Vibración según ISO 7916 ¹⁾	Manillar Derecho (mango trasero)	En Vacío	m/s ²	3.9
		En Carrera o W.O.T.	m/s ²	10.14
	Manillar Izquierdo (mango delante)	En Vacío	m/s ²	6.74
		En Carrera o W.O.T.	m/s ²	9.47
Nivel promedio de Presión de Ruido según ISO 7917 ¹⁾		db(A)	93.0	
Nivel Promedio de Potencia del Ruido según ISO 10884 ¹⁾		db(A)	104.1	
Ratio de Mezcla			50 : 1	

1) Los datos tienen igualmente en cuenta los modos de trabajo de velocidad en vacío, en carrera o en válvula abierta.

ADVERTENCIA : La Modelo RST210 no se debe usar con el la cuchillas metálicas.

DENOMINACIÓN DE PARTES

RST210 Cortabordes



E	DENOMINACION DE PARTES
1	Tanque de Combustible
2	Arrancador
3	Filtro de Aire
4	I-O Interruptor
5	Bujia
6	Silenciador de Salida
7	Caja del Embrague
8	Mango Trasero
9	Manillar
10	Palanca de Control
11	Cable de Control
12	Eje
13	Protector
14	Cabezal
15	Cabezal de Nylon
16	Tapón para llenado de combustible
17	Pomo de Arranque
18	Tubo de Escape

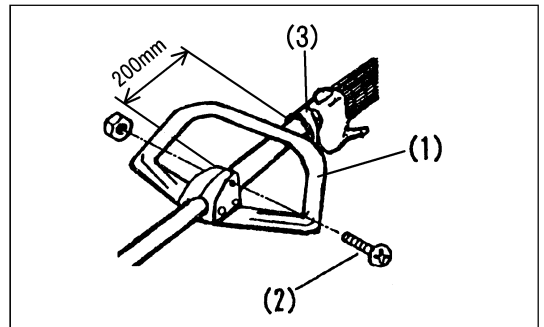
MONTAJE DEL MANILLAR

PRECAUCIÓN: Antes de realizar cualquier trabajo con la Cortabordes, apagar el motor y separar el conector de la bujía.
Llevar siempre guantes.

PRECAUCIÓN: Arrancar la Cortabordes sólo después de haberlo montado completamente.

Para máquinas con manillar en bucle

- Ponga el manillar en el eje.
- Después de montar el manillar en bucle (1), apretar los tres tornillos (2). Asegurarse que se apretan los pernos. Nunca apretar con exceso.
- Ajustar el manillar en bucle a una posición 200 mm o más desde el mango trasero (3) y apretar los tres tornillos (2).



MONTAJE DEL PROTECTOR

Para satisfacer las normas de seguridad aplicables, únicamente deben utilizarse las combinaciones herramienta/protector que se indican en la tabla.

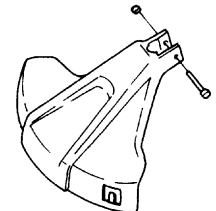
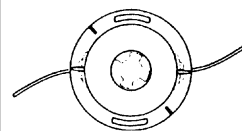
Asegúrese que se utilizan cabezales de Nylon MAKITA.

- Si la cabezal de nylon golpee contra una piedra durante la operación, pare el motor y verifique la cabezal cortadora de nylon inmediatamente.



Cabezal de Nylon

Protector para cabezal



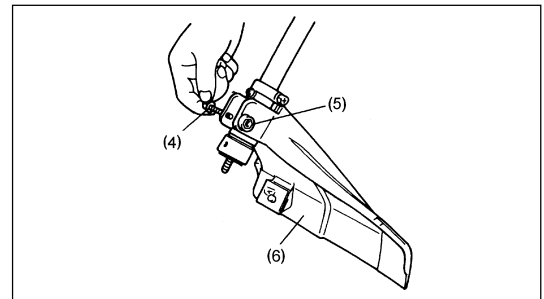
PART NO. 6168020000

PART NO. 6168016001-1

- Montar el protector (6) al eje.
- Insertar la tuerca M6 (5) en el agujero hexagonal en el protector (6).
- Fijar el protector con el perno de montaje M6 x 45 (4).

NOTA:

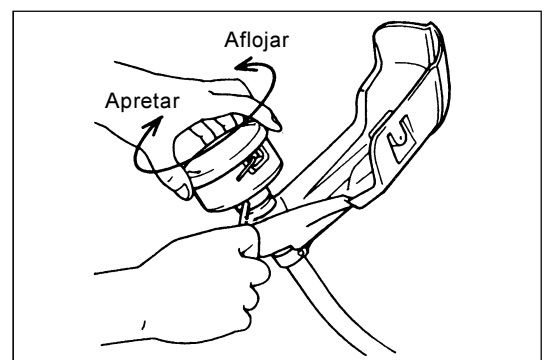
Nunca apretar el perno de montaje M6 x 45 (4) con exceso.



MONTAJE DE LA CABEZAL DE CORTE DE NYLON

Voltee la máquina con la parte de arriba abajo, y de esta forma podrá cambiar la cabeza de corte de nylon más fácilmente.

- Insertar la llave hex en el agujero de la caja de cabeza y hacer girar la arandela de soporte hasta que quede cerrada en la llave hex (o el eje quede cerrado).
- Atornillar la cabezal de corte de nylon en el eje.





Manipulación del combustible

La máxima atención se requiere cuando se manipule el combustible. El combustible puede contener sustancias similares a los disolventes. Reponer combustible en una habitación bien ventilada o en el exterior, No inhalar vapores de combustible, evitar el contacto del combustible o del aceite con su piel. entra en contacto con setas sustancias repeditamente y por un periodo extenso, se reseca. Varias enfermedades de piel pueden aparecer. Además, pueden ocurrir reacciones alérgicas. Pueden irritarse los ojos por el contacto con el aceite. Si entra en sus ojos, lavar inmediatamente con agua limpia. Si sus ojos permanecen irritados, vaya a un médico inmediatamente.



Observer las normas de seguridad de la pág. 32!

Mezcla de combustible y aceite

El motor de la cortabordes es un motor de 2 tiempos de alto rendimiento. Funciona con una mezcla de combustible y aceite de motor de 2 tiempos. El motor está diseñado para combustible regular sin plomo y un octanaje mínimo de 91 ROZ. Si este combustible no está disponible, puede utilizar combustible con mayor octanaje. Esto no afectará al motor, pero puede provocar un rendimiento pobre.

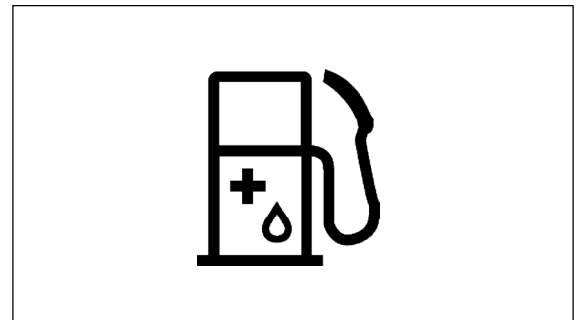
Una situación similar ocurre con el uso de combustible con plomo. Para obtener un trabajo óptimo del motor y para proteger su salud y el medio ambiente, únicamente combustible sin plomo debería ser utilizado.


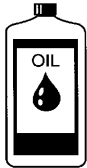
Para la lubricación del motor utilice un aceite de motor de 2 tiempos (grado TC-3) que se añade al combustible. El motor ha sido diseñado para el uso de aceite de motor 2 tiempos especificado y una mezcla de sólo 50:1 para proteger el medio ambiente. Además, se garantiza una larga vida y una funcionamiento segura con una mínima emisión de gases. Es absolutamente esencial que se observe una proporción de mezcla 50:1 (aceite de motor 2 tiempos especificado), ya que en otro caso el funcionamiento seguro de la máquina no se puede garantizar.

La proporción correcta de mezcla es:

Gasolina : Aceite de motor de dos carreras legítimo de especificado = 50 : 1 o
Gasolina : Aceite de motor de dos carreras de otros fabricantes = 25 : 1
recomendado

NOTA: Para preparar la mezcla combustible-aceite, en primer lugar mezclar la totalidad del aceite requerido con la mitad de combustible necesario y después añadir el resto del combustible. Agitar completamente la mezcla antes de llenar el tanque de llenar el tanque de la cortabordes. No es recomendable añadir más aceite de motor que el indicado. Únicamente se conseguirá una mayor emisión de residuos que contaminarán el canal de salida en el cilindro, así como en el silenciador. Además, se elevará el consumo de combustible y su rendimiento decrecerá.



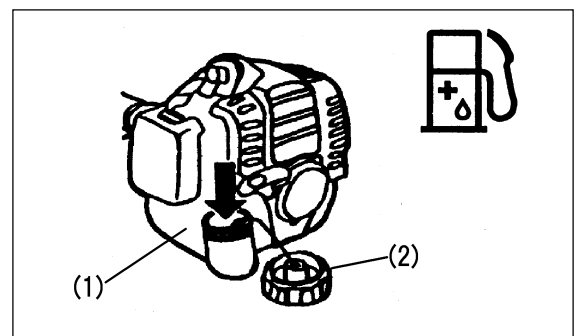
Gasolina	50:1	25:1
	+	
1000cm ³ (1 litro)	20 cm ³	40cm ³
5000cm ³ (5 litros)	100 cm ³	200cm ³
10000cm ³ (10 litros)	200 cm ³	400cm ³

¡El motor debe apagarse!

- Limpiar completamente la zona alrededor del tapón para evitar que entre suciedad en el tanque.
- Aflojar el tapón y llenar el tanque con combustible según sea el caso.
- Apretar fuertemente el tapón.
- Limpiar el tapón y al tanque después del llenado.

Almacenamiento del combustible

El combustible no se puede almacenar durante en periodo indefinido de tiempo. Comprar únicamente la cantidad requerida para un periodo de trabajo de 4 semanas. Utilizar únicaente contenedores de combustible aprobados.



PUNTOS RELACIONADOS CON EL MANEJO Y LA PARADA

!Observar las normas de prevención de accidentes aplicables;



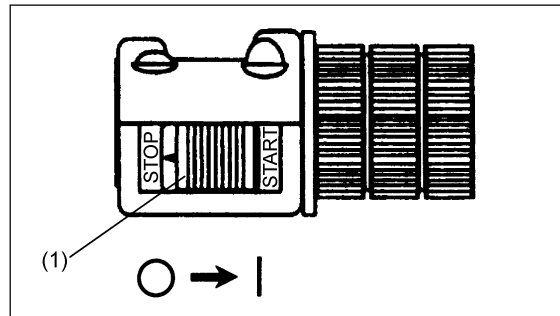
Arranque

Situarse a una distancia mínima de 3 metros del lugar de reabastecimiento. Colocar la cortabordes en una zona de terreno limpio, tomando cuidado de que la cabezal de nylon no entre en contacto con el suelo o cualquier otro objeto.

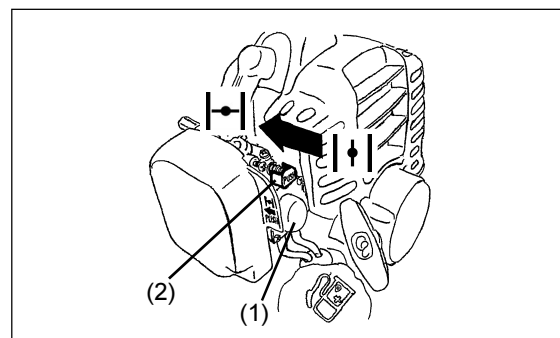
Arranque en frío:

Máquina con manillar bucle

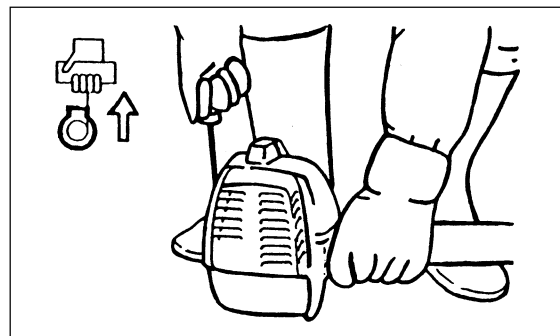
– Colocar el interruptor I-O (1) en la posición que indica flecha.



- Primero colocar la máquina sobre el suelo.
- Dar un suave empujón a la bomba de cebado (1) repetidamente (7-10 veces hasta que el combustible entre en la bomba.
- Colocar el botón del estrangulador (2) a la posición superior “|—|”.



- Sujetar firmemente la caja del embrague con su mano izquierda según se ilustra.
- Retirar lentamente el mango del arrancador hasta que se note una resistencia y continuar con un tirón rápido.
- No estirar completamente la cuerda del arrancador hasta su longitud total, y no permitir que el mango del arrancador vuelva sin control. Asegurarse que vuelve lentamente.
- Repetir la operación de arranque hasta que se oigan los primeros encendidos.
- Cuando el motor comienza, satisfaga abierto la palanca de mariposa un poco. El botón de la estrangulación que es automático, vuelve a la posición original “|—|”.



- Dejar correr el motor durante 1 minuto a una velocidad moderada antes de aplicar la admisión completa.

Note: – Si extrae la manivela de arranque con demasiada repetición cuando la botón del estrangulador se mantiene en la posición “|—|”, se pone en marcha con mucha dificultad debido a que se respira demasiado combustible.

- Si se respira demasiado combustible, desmonte la bujía de encendido, y haga escapar el combustible sobrado con repetida extracción lenta de la manivela de arranque. Asimismo, seque el electrodo de la bujía de encendido.

Precauciones durante la operación:

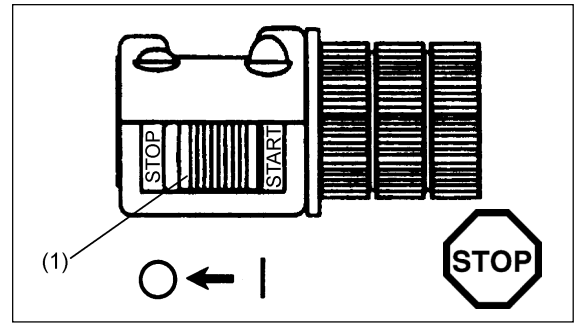
Si la palanca de la mariposa de gases se abre completamente en operación sin carga, la rotación del motor se elevará a 10.000 min⁻¹ o más. Nunca operar el motor a una velocidad más alta que la requerida y mantenerse a una velocidad aproximada de 6000-8000 min⁻¹

Arranque del motor en caliente

- Según se describe antes, pero sin mover la botón el estrangulador.

Paro

- Soltar la palanca de control completamente y cuando las revoluciones del motor descendán, apretar el interruptor I-O a la posición O. El motor parará.
- Tome nota de que el cabezal de corte no parará inmediatamente sino que lo hará de forma lenta y progresiva.

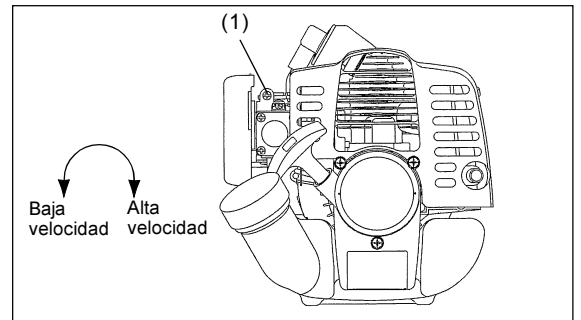


AJUSTE DEL GIRO A BAJA VELOCIDAD (RALENTÍ)

El cabezal de Nylon no deben pirar cuando la palanca de control está completamente soltada. Si es necesario, ajustar las revoluciones en vacío, utilizando el tornillo de ajuste en vacío.

Comprobar la velocidad en vacío

- La velocidad en vacío debe fijarse a 3000 min⁻¹. Si es necesario, corregirla con el tornillo de ajuste (el cabezal de Nylon no deben girar cuando el motor, mientras que si se afloja el tornillo se reducirá la velocidad).



CABEZAL DE NYLON

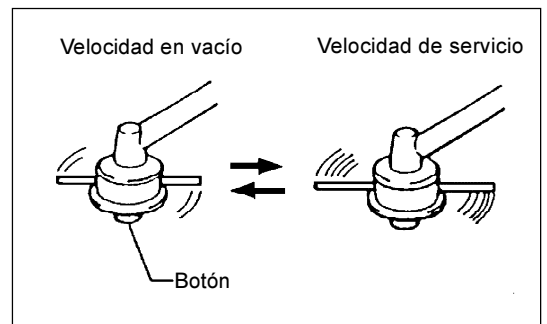
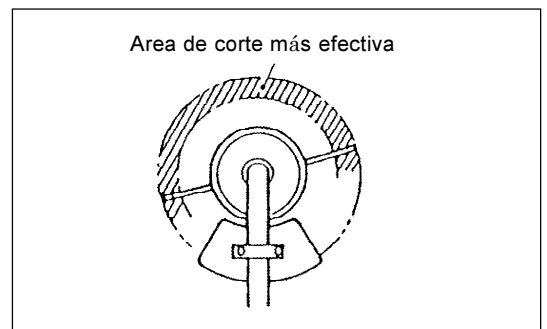
El cabezal de Nylon es un cabezal dual de cuerda que puede trabajar automáticamente y con mecanismo de tope y avance. El cabezal se alimentará automáticamente con la longitud adecuada de cuerda según los cambios de fuerza centrífuga causado por un aumento o disminución de las revoluciones. Sin embargo, para cortar el césped blando de forma eficiente, hacer topar el cabezal con el suelo para extraer cuerda adicional como se indica en la siguiente sección de operaciones.

Operación

- Aumentar la velocidad del cabezal de Nylon hasta unas 6000 min⁻¹. La velocidad baja (por debajo de 4800 min⁻¹) no será útil, la cuerda de Nylon no será extraída suficientemente a baja velocidad.
- El área más efectiva de corte se indica de forma sombreada.

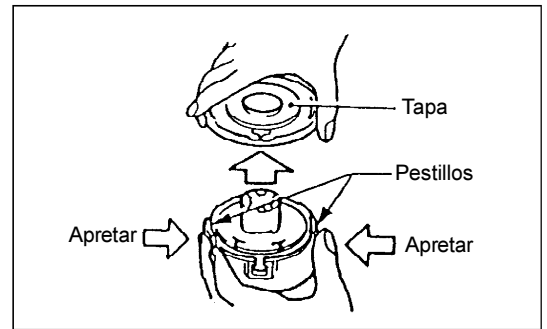
Si la cuerda de Nylon no se alimenta automáticamente, hacer lo siguiente.

1. Soltar la palanca de la mariposa de gases para hacer marchar el motor en vacío y apretar completamente la palanca de la mariposa de gases. Repetir hasta que la cuerda de Nylon salga hasta la longitud adecuada.
2. Si la cuerda de Nylon demasiado corta para alimentarse automáticamente según lo explicado, golpear el botón del cabezal contra el suelo para alimentar la cuerda de Nylon.
3. Si la cuerda de Nylon no sale con lo explicado en 2, sustituir la cuerda de Nylon según el procedimiento que se explica a continuación en "sustitución de la cuerda de Nylon".

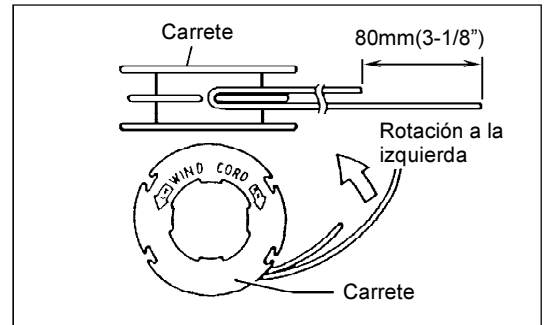


Sustitución del cabezal de Nylon

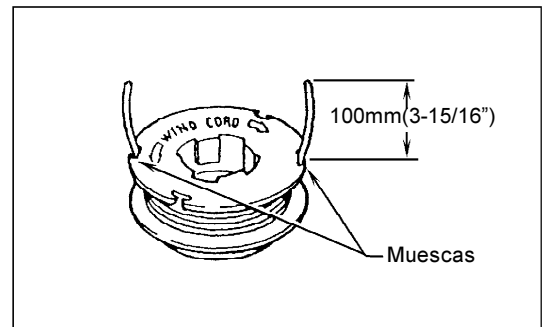
- Primero, parar el motor.
- Apretar los pestillos de la caja hacia el interior para levantar la tapa; quitar el carrete.



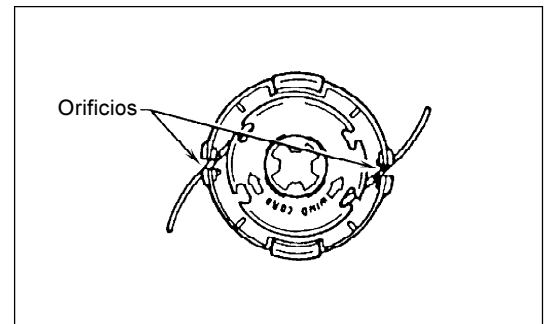
- Enganchar el centro de la nueva cuerda de Nylon en la muesca del centro del carrete, dejando que uno de los extremos de la cuerda mida unos 80mm (3-1/8") más que el otro. Enrollar ambos extremos firmemente alrededor del carrete en la dirección de rotación del cabezal (a mano izquierda indicado con LH y a mano derecha indicado con RH en el lateral del carrete).



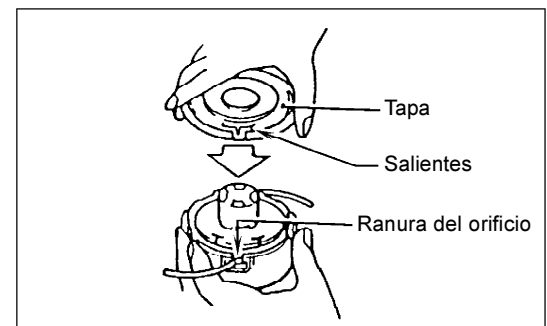
- Enrollar la totalidad excepto unos 100mm (3-15/16") de la cuerda, dejando los extremos temporalmente enganchedos a través de una de las muescas del carrete.



- Montar el carrete en la caja de forma que los surcos y protuberancias del carrete encajen con los de la caja. Mantener el lado del carrete con letras visible (arriba). Ahora, desenganchar los extremos de la cuerda de su posición temporal y alimentar las cuerdas a través de los orificios hacia el exterior.



- Posicionar los salientes del interior de la tapa sobre las ranuras de los orificios. Presionar la tapa firmemente sobre la caja para asegurarla.



INSTRUCCIONES DE SERVICIO



PRECAUCIÓN: Antes de realizar cualquier trabajo con la Cortabordes, siempre apagar el motor y sacar la tapa de la bujía (ver "comprobación de la bujía").
Siempre usar guantes protectores.

Para asegurar una larga vida y evitar cualquier daño al equipo, las siguientes instrucciones de servicio deben realizarse a intervalos regulares:

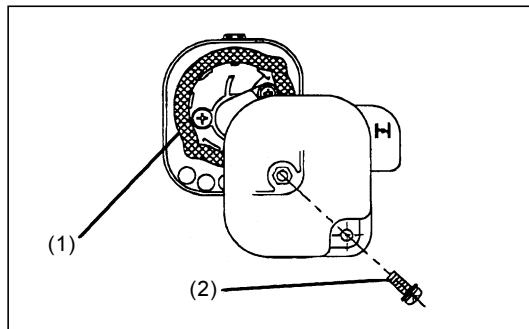
Comprobación y mantenimiento diarios

- Antes de trabajar, comprobar que no hay tornillos sueltos o que faltan piezas. Particularmente, revisar que la cabezal de Nylon están bien sujetas.
- Antes de trabajar, siempre comprobar que el paso de aire refrigerante y las aletas de los cilindros no están obturadas. Limpiarlos si es necesario.
- Realizar el siguiente trabajo diariamente después del uso:
 - Limpiar la Cortabordes externamente y revisar si hay daños.
 - Limpiar el filtro de aire. Cuando se trabaje en condiciones de mucho polvo, limpiar el filtro varias veces al día.
 - Comprobar que la cabezal de Nylon no están dañados y comprobar que estén bien montados.
 - Comprobar que hay una diferencia suficiente entre la velocidad en vacío y de funcionamiento para asegurar que la cabezal de Nylon permanece quieta cuando el motor marcha en vacío. Si es necesario reducir la velocidad en vacío. Si en velocidad inferior a la marcha en vacío la cuchilla sigue girando, consulte con su Agente de Servicio Autorizado.
- Comprobar el funcionamiento del interruptor I-O la palanca de cierre, la palanca de la mariposa de gases.

Limpeza del filtro de aire

El estorbar del elemento (1) puede a veces hacerlo difícil o imposible encender para arriba el motor o de aumentar la velocidad del motor.
Después del final de la operación, sea seguro limpiar el filtro de aire según lo mencionado abajo.

- Quite el tornillo de la tapa del filtro de aire.
- Coloque el dedo bajo tapa del filtro de aire, empuje hacia abajo la parte más inferior de la tapa, y separe la tapa del filtro de aire.
- Tome hacia fuera el elemento (1), límpielo con agua tibia mezclada con el detergente neutral, y séquelo totalmente.
- Después de limpiar, una el elemento.
- Inserte la garra en la parte superior del caso en el agujero en la parte superior de la tapa del filtro de aire. Entonces, una la tapa del filtro de aire empujándola, y apriete el tornillo (2).

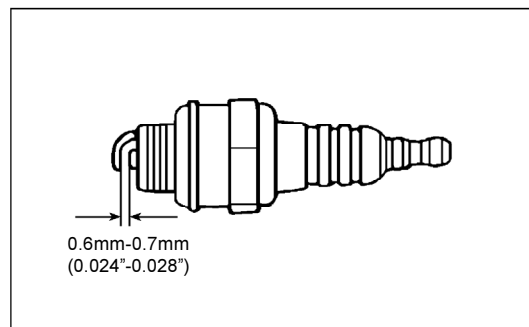


NOTA: Si hay polvo o suciedad excesivo que adhiere al filtro de aire, límpiolo cada día. Un filtro de aire estorbado puede hacerlo difícil o imposible arrancar el motor o de incrementar la velocidad rotatoria del motor.

Comprobación de la Bujía

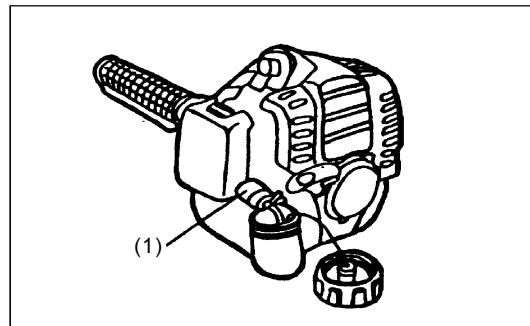
- Utilizar sólo la llave universal suministrada para quitar o instalar la bujía.
- La separación entre ambos electrodos de la bujía debe ser de 0.6 - 0.7mm (0.024" - 0.028"). Si la separación es mayor o menor, ajustarla. Si la bujía está obturada con carbón o sucia, límpiola completamente o cambiarla.

PRECAUCIÓN: Nunca tocar el conector de la bujía mientras el motor funciona.
(Riesgo de alto voltaje).



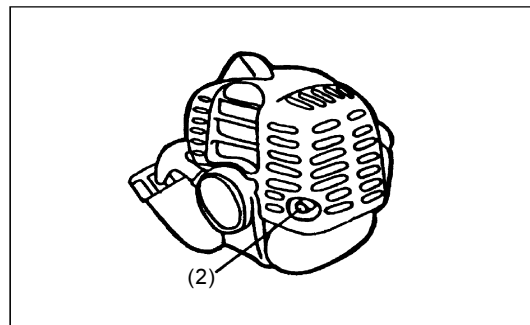
Cabezal de succión en el tanque de combustible

- El filtro de fieltro (1) del cabezal de succión se utiliza para filtrar el combustible requerido por el carburador.
- Una inspección visual periódica de este filtro debe realizarse. Para ese propósito, saque la tapa del tanque y con un alambre en forma de gancho saque el cabezal a través del agujero del tanque. Los filtros que se hayan endurecido, ensuciado u obturado deben sustituirse.
- El suministro insuficiente de combustible puede provocar que se supere la máxima velocidad admisible. Por lo tanto, es importante cambiar este filtro por lo menos cada trimestre para asegurar un suministro satisfactorio de combustible al carburador.



Limpieza del orificio de salida del silenciador

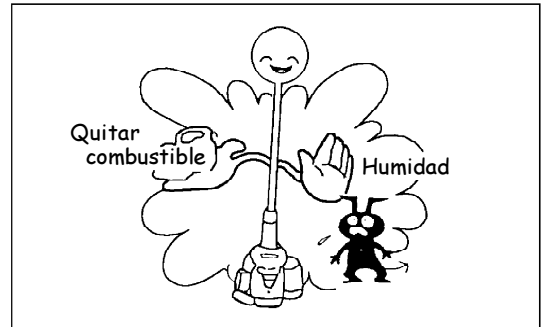
- Comprobar regularmente el orificio (2) de salida del silenciador.
- Si está obturado por depósitos de carbón, arrancar con cuidado estos depósitos con una herramienta adecuada.



Cualquier operación de mantenimiento o ajuste que no se incluya o describa en este manual sólo debe realizarse por el Agente de Servicio Autorizado.

ALMACENAMIENTO

- Cuando se guarde la máquina durante un período largo de tiempo, extraer todo el combustible del tanque y del carburador. Desechar el combustible de acuerdo con la normativa local.
- Quitar la bujía y echar unas gotas de aceite en el agujero de la bujía. Tirar del tirador de arranque suavemente, confirmar que la película de aceite cubre el interior del motor y colocar la bujía.
- Limpiar el polvo o suciedad de la cabezal de nylon y del exterior del motor con un trapo sumergido en aceite y guardar la máquina en lugar seco.



Esquema de mantenimiento

General	Conjunto de motor tornillos y tuercas	Inspección visual de daños y seguridad Comprobar condiciones generales
Después de cada reabastecimiento	Palanca de control Interruptor I-O	Comprobación funcional Comprobación funcional
Diaria	Filtro aire Conducto aire refrigerante Herramienta de corte Velocidad en vacío	Limpiarlo Limpiarlo Comprobar daños y estado del afilado Inspeccionar (la cuchilla no se debe mover)
Semanal	Bujía Silenciador	Inspección/cambiar si es necesario Comprobar si es necesario limpiar
Trimestral	Cabezal de succión Tanque combustible	Cambiar Limpiar
Procedimiento para almacenaje	Tank combustible Carburador	Vaciar hacer funcionar hasta que el motor quede sin combustible

Localización de averías

Avería	Sistema	Observaciones	Causas
El motor no arranca o lo hace con dificultades	Encendido	Hay chispa de encendido	Fallo en suministro de combustible o sistema de compresión Defecto mecánico
		No hay chispa	Interruptor I-O conectado, fallo del cableado o cortocircuito, bujía o conector defectuosos, fallo en el módulo de encendido
	Suministro de combustible	Tanque lleno	Posición incorrecta del estrangulador, carburador defectuoso, cabezal de succión sucio, línea de suministro de combustible doblada o interrumpida
	Compresión	Interior del motor	La junta interior del cilindro es defectuosa, los retenes del cigüeñal están dañados, el cilindro o los segmentos del pistón están dañados
Problemas de arranque en caliente	Fallo mecánico	El arrancador no funciona	El muelle del arrancador está roto. Partes rotas en el interior del motor
	Suministro de combustible	Tanque lleno hay chispa de encendido	Carburador contaminado, hay que limpiarlo
El motor arranca y se para inmediatamente		Suministro de combustible	Tanque lleno
			La ventilación del tanque falla, la línea de suministro de combustible está interrumpida. El interruptor I-O o el cable fallan.
Rendimiento pobre	Varios Sistemas pueden verse afectados	Motor en vacío	Filtro de aire contaminado, carburador contaminado, silenciador obturado, conducto de salida en el cilindro obturado

Makita Corporation

3-11-8, Sumiyoshi-cho,
Anjo, Aichi 446-8502, Japan